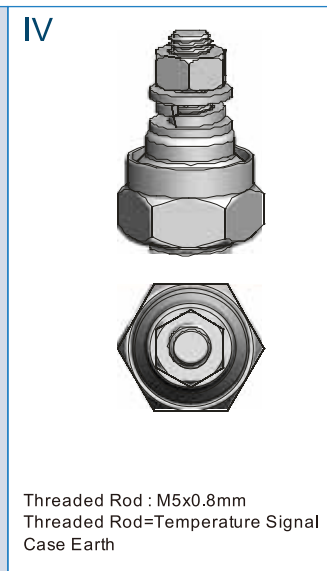
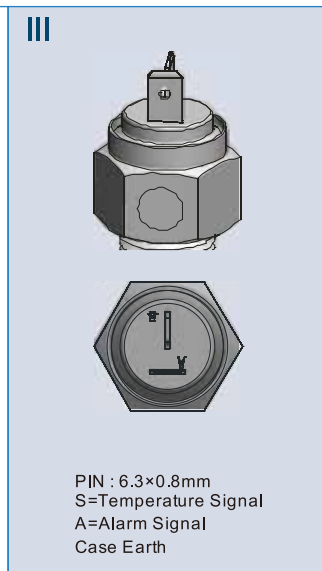
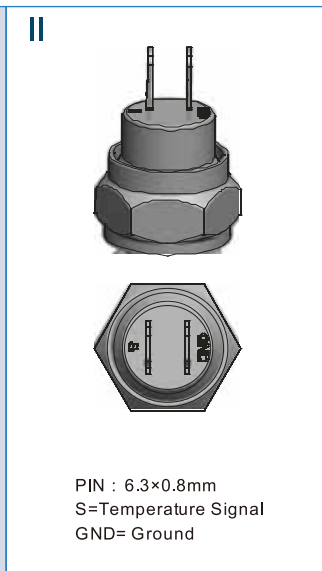
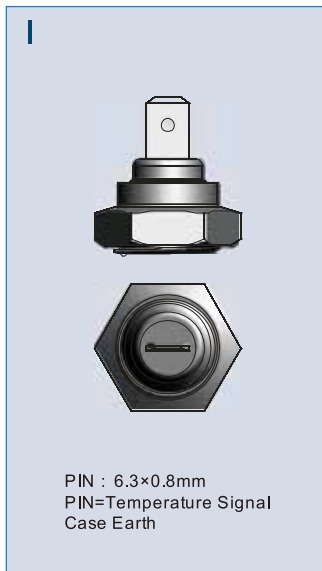
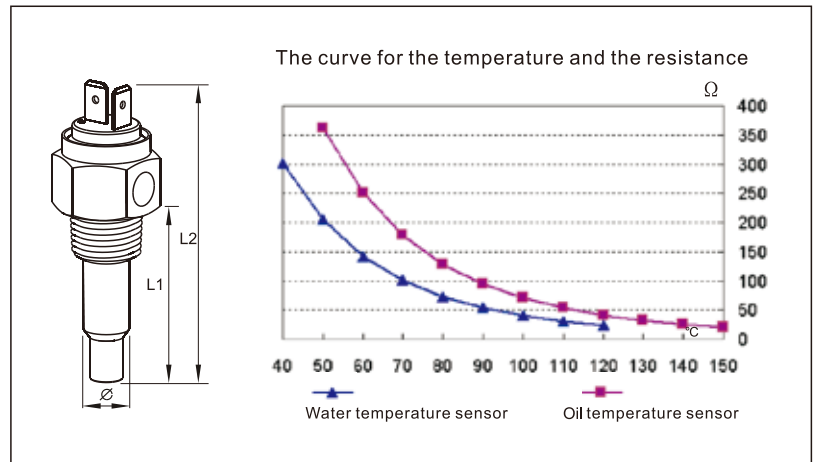


Temp. Sensor



- The main body is made of brass.
- Please refer to appendix 1 for product types (temperature sensor series)
- Sensors have double metal plate connectors.
Eg: Type II and Type III (Type III with alarm feature)
- Protection rank: IP67

- Rated voltage: 6V~24V
- Temperature response time: Minimum 3 minutes after power supply electrified.
- Rated power for alarm switch: 1.2W~3W
- The temperature alarm tolerance: $\pm 3^{\circ}\text{C}$
- Type of alarm touch:
The switch turns off when the temperature rises.



* Please contact us for more details.

WATER TEMPERATURE SENSORS

Art. No.	Product Name	Temperature Max(°C)	Alarm Temp.(°C)	Thread Spec.	Ømm	L1(mm)	L2(mm)	Type
KE00000	SWN-1	120	—	M14×1.0	7.5	28.5	51	I
KE00001	SWN-1	120	—	M14×1.25	7.5	28.5	51	
KE00002	SWN-1	120	—	M14×1.5	7.5	28.5	51	
KE00003	SWN-1	120	—	M16×1.5	7.5	28.5	51	
KE00004	SWN-1	120	—	M18×1.5	7.5	28.5	51	
KE00005	SWN-1	120	—	1/4"-18NPT	7.5	28.5	51	
KE00006	SWN-1	120	—	1/8"-27NPT	7.5	28.5	51	
KE00007	SWN-1	120	—	3/8"-18NPT	7.5	28.5	51	
KE00009	SWN-1	120	—	5/8"-18UNF	7.5	28.5	51	
KE00025	SWN-1	120	—	1/2"-14BSP	7.5	28.5	51	
KE00035	SWN-1	120	—	M10×1.0	7.5	28.5	51	
KE00038	SWN-1	120	—	M16×1.5	7.5	22	44.5	
KE00017	SWN-2	120	—	M16×1.5	13	28.5	58.7	II
KE00021	SWN-2	120	—	3/8"-18NPT	13	28.5	58.7	
KE00018	SWN-2	120	—	M18×1.5	13	28.5	58.7	
KE00022	SWN-2	120	—	5/8"-18UNF	13	28.5	58.7	
KE00016	SWN-2	120	—	M14×1.5	13	28.5	58.7	
KE00020	SWN-2	120	—	1/2"-14NPT	13	28.5	58.7	
KE00036	SWN-2	120	—	1/4"-18NPTF	13	28.5	58.7	
KE00023	SWN-2	120	—	M20×1.5	13	28.5	58.7	
KE00100	SWA-3	120	95	M14×1.0	10.7	41	71.5	III
KE00101	SWA-3	120	95	M14×1.25	10.7	41	71.5	
KE00102	SWA-3	120	95	M14×1.5	10.7	41	71.5	
KE00119	SWA-3	120	107	M16×1.5	10.7	41	71.5	
KE00122	SWA-3	120	98	M18×1.5	10.7	41	71.5	
KE00105	SWA-3	120	98	3/8"-18NPT	10.7	41	71.5	
KE00133	SWA-3	120	103	5/8"-18UNF	10.7	41	71.5	
KE00148	SWA-3	120	108	R3/8"-19	10.7	30	68.5	
KE00170	SWA-3	120	110	1/2"-14NPT	10.7	30	68.5	
KE00112	SWA-3	120	95	M16×1.5	10.7	41	71.5	
KE00106	SWA-3	120	95	M18×1.5	10.7	41	71.5	

* Please contact us for more details.

WATER TEMPERATURE SENSORS

Art. No.	Product Name	Temperature Max(°C)	Alarm Temp.(°C)	Thread Spec.	Ømm	L1(mm)	L2(mm)	Type
KE00108	SWA-3	120	95	1/2"-14NPT	10.7	41	71.5	III
KE00103	SWA-3	120	95	3/8"-18NPT	10.7	41	71.5	
KE00109	SWA-3	120	95	5/8"-18UNF	10.7	41	71.5	
KE00113	SWA-3	120	98	M14×1.0	10.7	41	71.5	
KE00114	SWA-3	120	98	M14×1.25	10.7	41	71.5	
KE00120	SWA-3	120	98	M14×1.5	10.7	41	71.5	
KE00121	SWA-3	120	98	M16×1.5	10.7	41	71.5	
KE00124	SWA-3	120	98	1/2"-14NPT	10.7	41	71.5	
KE00125	SWA-3	120	98	5/8"18UNF	10.7	41	71.5	
KE00149	SWA-3	120	102	5/8"18UNF	10.7	30	68.5	
KE00115	SWA-3	120	98	1/2"-14NPT	10.7	41	71.5	
KE00116	SWA-3	120	95	M12×1.25	10.7	41	71.5	
KE00140	SWA-3	120	110	M16×1.5	10.7	30	68.5	
KE00141	SWA-3	120	105	3/8"-18NPT	10.7	41	71.5	
KE00143	SWA-3	120	100	M14×1.5	10.7	41	71.5	
KE00152	SWA-3	120	99	1/2"-14NPT	10.7	41	71.5	
KE00153	SWA-3	120	99	3/8"-18NPT	10.7	41	71.5	
KE00156	SWA-3	120	100	1/2"-14NPT	10.7	41	71.5	
KE00160	SWA-3	120	98	3/8"-18NPT	10.7	30	68.5	
KE00161	SWA-3	120	98	M16×1.5	10.7	30	68.5	
KE00163	SWA-3	120	110	1/2"-14NPT	10.7	41	71.5	
KE00164	SWA-3	120	110	3/8"-18NPT	10.7	41	71.5	
KE00165	SWA-3	120	98	1/2"-14NPT	10.7	30	68.5	
KE00166	SWA-3	120	98	1/4"-18NPT	10.7	41	71.5	
KE00169	SWA-3	120	98	3/8"-18R	10.7	41	71.5	
KE00010	SWN-1	120	—	1/2"-14NPT	8	30	54	IV
KE00011	SWN-1	120	—	1/8"-27NPT	8	27	51.5	
KE00012	SWN-1	120	—	1/4"-18NPT	8	27	51.5	
KE00027	SWN-1	120	—	1/2"-14BSP	8	30	54	
KE00013	SWN-1	120	—	3/8"-18NPT	8	22	46.5	
KE00030	SWN-1	120	—	M10×1.0	8	27	51.5	
KE00039	SWN-1	120	—	M16×1.5	8	22	46.5	

* Please contact us for more details.

OIL TEMPERATURE SENSOR

Art. No.	Product Name	Temperature Max(°C)	Alarm Temp.(°C)	Thread Spec.	L1(mm)	L2(mm)	Type
KE01001	SON-1	150	—	M14×1.0	28.5	51	I
KE01000	SON-1	150	—	M14×1.25	28.5	51	
KE01002	SON-1	150	—	M14×1.5	28.5	51	
KE01003	SON-1	150	—	M16×1.5	28.5	51	
KE01004	SON-1	150	—	M18×1.5	28.5	51	
KE01005	SON-1	150	—	1/4"-18NPT	28.5	51	
KE01006	SON-1	150	—	1/8"-27NPT	28.5	51	
KE01007	SON-1	150	—	3/8"-18NPT	28.5	51	
KE01008	SON-1	150	—	1/2"-14NPT	28.5	51	
KE01009	SON-1	150	—	5/8"-18UNF	28.5	51	
KE01013	SON-2	150	—	M16×1.5	28.5	58.7	II
KE01017	SON-2	150	—	3/8"-18NPT	28.5	58.7	
KE01014	SON-2	150	—	M18×1.5	28.5	58.7	
KE01018	SON-2	150	—	5/8"-18UNF	28.5	58.7	
KE01012	SON-2	150	—	M14×1.5	28.5	58.7	
KE01016	SON-2	150	—	1/2"-14NPT	28.5	58.7	
KE01019	SON-2	150	—	R3/8"-19	28.5	58.7	
KE01020	SON-2	150	—	M22×1.5	28.5	58.7	
KE01102	SOA-3	150	120	M14×1.0	41	71.5	III
KE01103	SOA-3	150	120	M14×1.25	41	71.5	
KE01104	SOA-3	150	120	M14×1.5	41	71.5	
KE01105	SOA-3	150	120	M16×1.5	41	71.5	
KE01106	SOA-3	150	120	M18×1.5	41	71.5	
KE01107	SOA-3	150	120	M16×1.5	41	71.5	
KE01108	SOA-3	150	120	1/2"-14NPT	41	71.5	
KE01101	SOA-3	150	120	3/8"-18NPT	41	71.5	
KE01100	SOA-3	150	120	5/8"-18UNF	41	71.5	
KE01109	SOA-3	150	120	M20×1.5	41	71.5	
KE01110	SOA-3	150	115	1/2"-14NPT	41	71.5	
KE01023	SOA-3	150	105	M12×1.25	41	71.5	
KE01111	SOA-3	150	80	M14×1.5	41	71.5	
KE01112	SOA-3	150	120	1/4"-18NPT	41	71.5	
KE01113	SOA-3	150	120	M22×1.5	30	68.5	
KE01114	SOA-3	150	135	M16×1.5	41	71.5	
KE01115	SOA-3	150	100	M14×1.0	41	71.5	

* Please contact us for more details.