

85mm GPS Speedometer with Blind Spot Detection Alarm

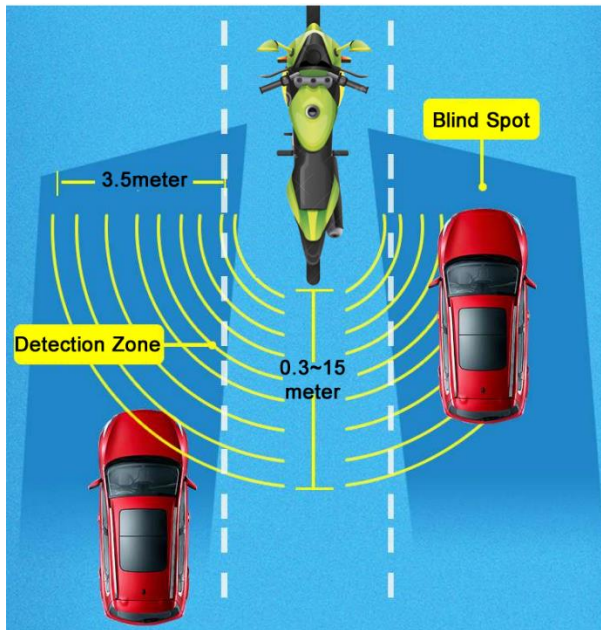
Application: Motorcycles

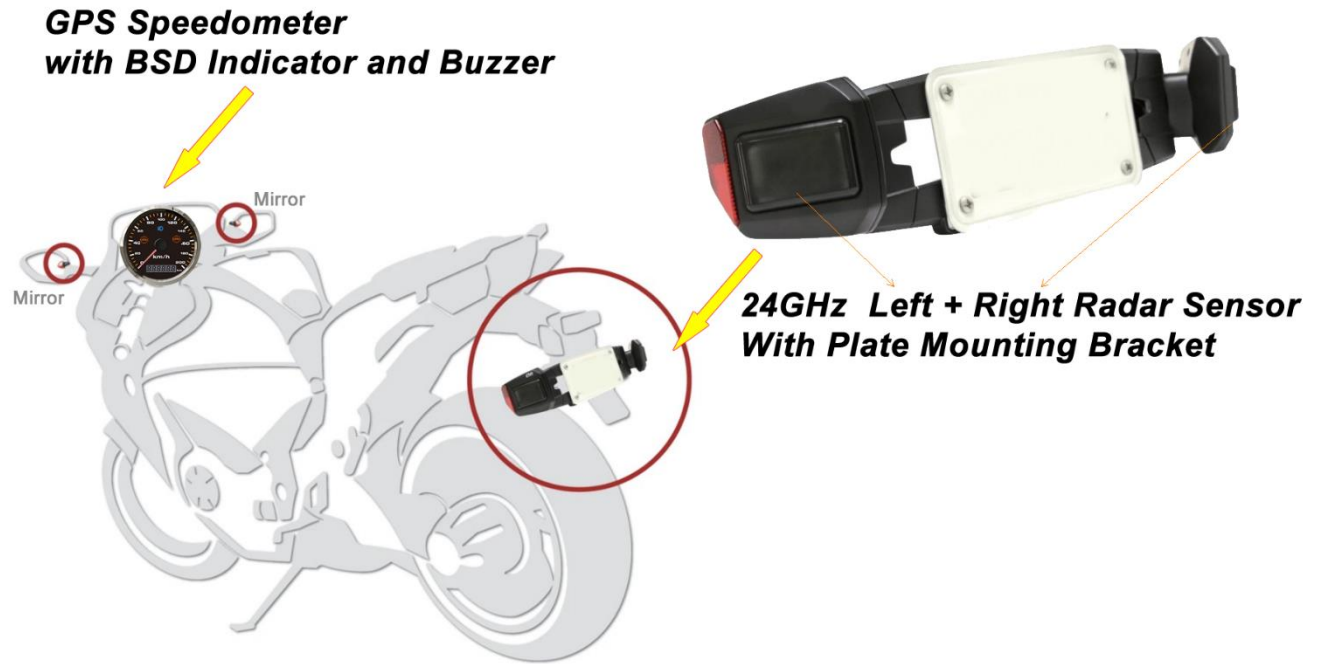
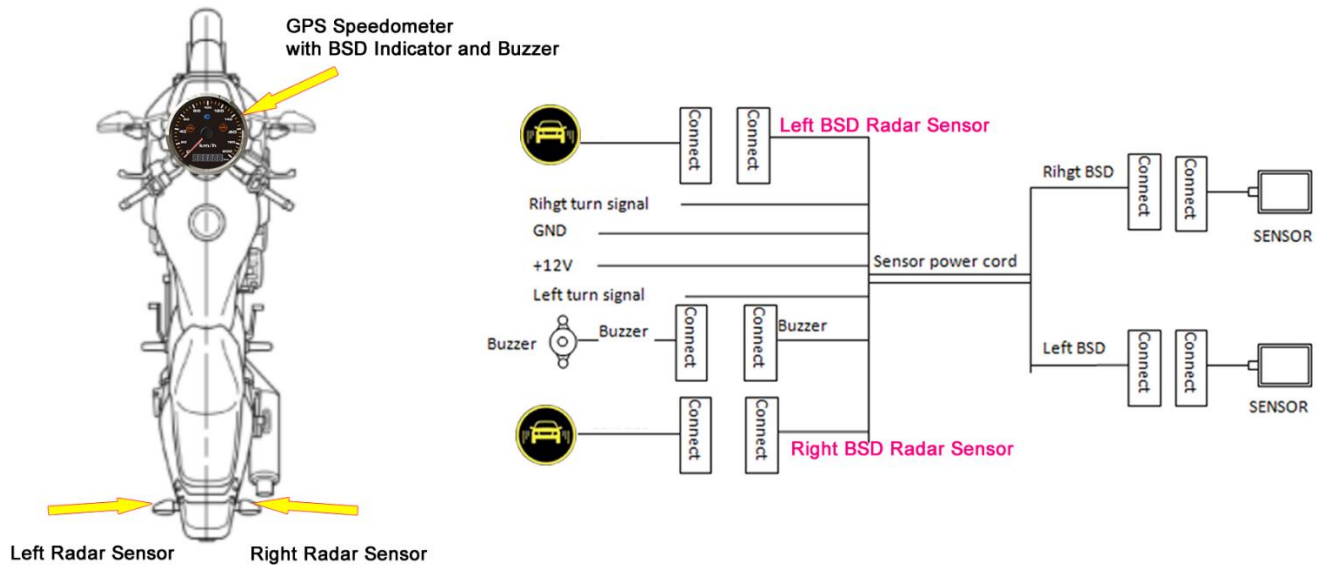
- GPS+GLONASS Dual Module Speedometer
- **24GHz (BSD)Blind Spot Detection Alarm (0.3~ 15 meter)**
- **Speedometer Indicator of High Beam, BSD Left & Right Alarm**
- No Mechanic Sensor, get speed signal from GPS/GLONASS satellite
- No GPS Stationary Drift
- Total Mileage Adjustable, Trip Odometer switch show
- **GPS Blind Area Odometer Compensation**
- Over Speed Buzzer Alarm (Value Adjustable)
- Installation Diameter: 85mm (3 3/8")
- Speed Range: 0~200km/h or MPH
- Mileage Range: 0-99999.9KM
- Reverse polarity protection and anti-fogging performance
- Working Voltage:12V/24V
- Working temperatures: - 40 to 85°C
- IP67 Waterproof



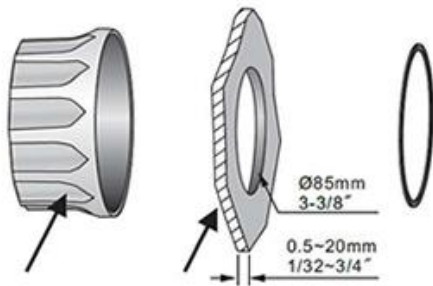
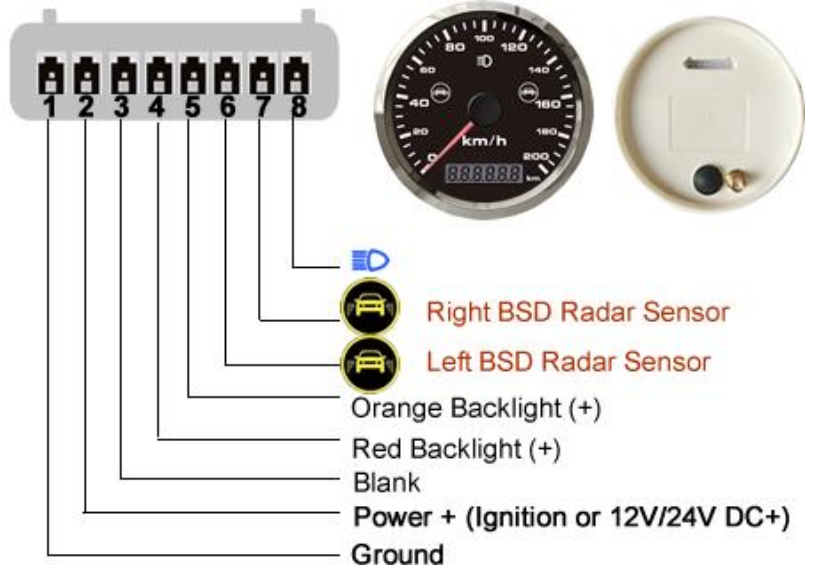
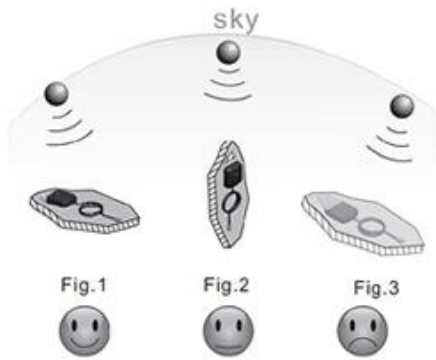


- * **GPS+GLONASS Dual Module Speedometer**
- * **0.3~15meter (BSD) Blind Spot Detection**
- * **Speedometer BSD Indicator & Buzzer Alarm**
- * **Total & Trip Odometer Switch**
- * **Programmable Odometer**
- * **Overspeed Buzzer Alarm (programmable)**

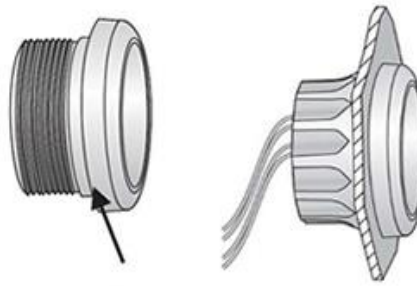




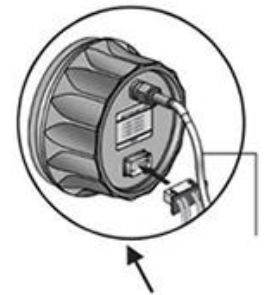
GPS Antenna Installation



Gauge Bracket Dashboard Panel



Gauge Body



GPS Antenna