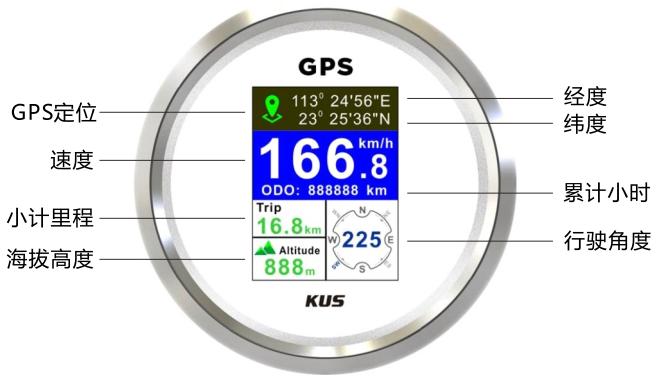


# 六合一多功能表说明书



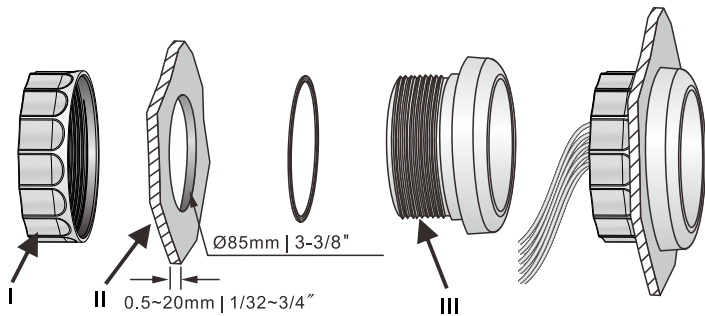
六合一多功能表是一块多功能圆形液晶仪表，可以同时显示多种数据：经纬度、速度、累计小时、小计里程、行驶角度、海拔高度。

## 一、包装内含物:

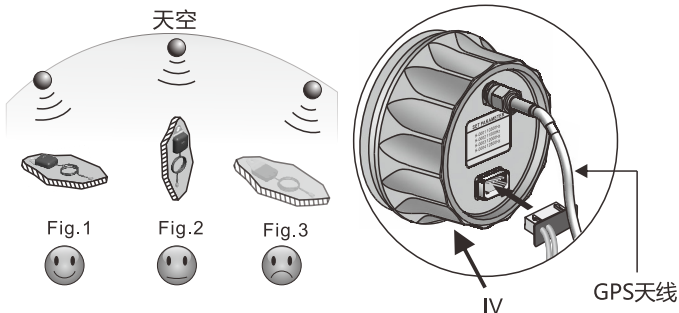
六合一多功能表、5芯线、GPS天线、说明书各1件。

## 二、安装说明

1. 在仪表板(II)上开一个直径为 $\Phi 85\text{mm}$  (3-3/8")的孔，并确保仪表板后面至少要有55mm (23/16")的空间来放置表。
2. 去掉固定圈 (I)，从前面放入仪表，调整好位置后用固定圈 (I) 锁紧仪表 (III)。
3. 将线束和GPS 线连接到仪表上 (IV)。



## GPS 天线安装说明:

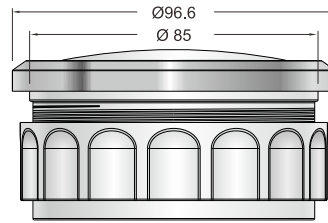


4. 将GPS天线安装到户外，并确保固定好的GPS天线接受信号一面面对着天空，如图Fig.1；如果GPS天线安装如图Fig.2，GPS信号的接收将会受到影响；如果GPS天线安装如图Fig.3，则GPS信号将受到非常大的影响，信号较弱时可能完全接收不到信号。

5. 通电之后，仪表需要1分钟左右的时间去接收卫星信。信号强的时候一般40秒以内即可完成定位（初次定位可能需要1~2分钟的时间）。当船移动时，指针显示相对地的即时速度（SOG）。在船停靠期间，所有的数据将不会变化，所以指针不能作为参考使用，要直到船开始移动，仪表上显示的数据才会准确。

## 三、外形尺寸

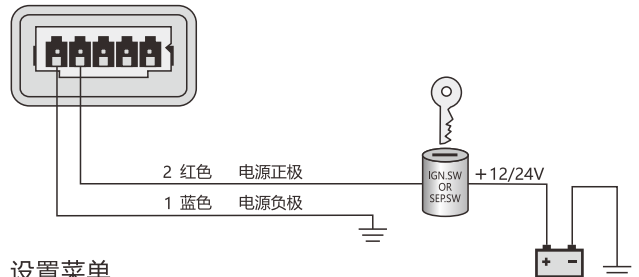
- 1.显示区域: 2.4英寸
- 2.分辨率: 240\*320像素
- 3.安装尺寸:  $\Phi 85\text{mm}$
- 4.外观尺寸:  $\Phi 96.6\text{mm}$



## 四、电气参数

- 1.工作电压: 9 - 32 VDC
- 2.工作电流:  $\leq 170\text{mA}$  (12V)
- 3.工作温度:  $-30\sim+85^{\circ}\text{C}$  ( $-22^{\circ}\text{F}\sim+185^{\circ}\text{F}$ )
- 4.存储温度:  $-30\sim+85^{\circ}\text{C}$  ( $-22^{\circ}\text{F}\sim+185^{\circ}\text{F}$ )

## 五、引脚定义

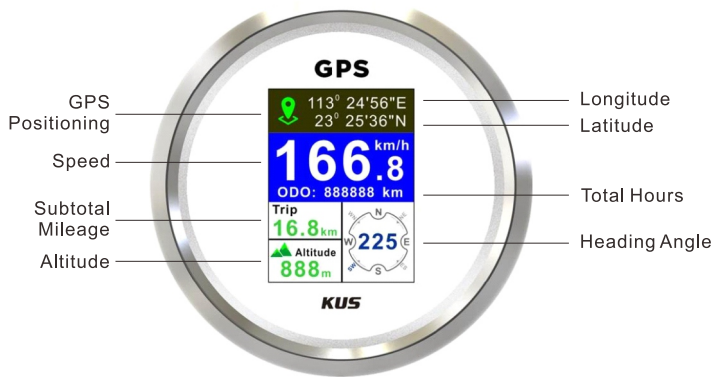


## 六、设置菜单

1. 菜单操作
  - 1.1. 长按仪表背后按键进入菜单界面
  - 2.2. 进入菜单界面，长按选择对应菜单项，短按切换菜单项。
2. 菜单目录

	主菜单	下级菜单	说明
设置	语言	中文	菜单中文显示
		English	菜单英文显示
	里程设置	公里	速度单位可选
		英里	
		海里	
	速度报警	50	报警值可选
	功能	普通	正常功能
		自动	演示功能
	旅程复位	X	小计里程清零
	退出	X	返回功能主界面

# Six-in-One Multi-function Instrument Instruction Manual



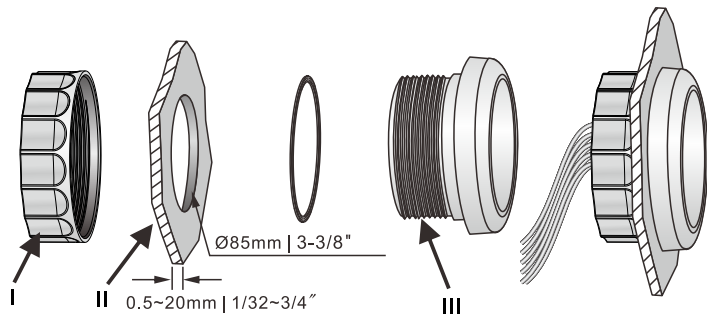
The Six-in-One Multi-Function Instrument is a versatile round LCD instrument that can simultaneously display multiple data: longitude and latitude, speed, total hours, subtotal mileage, heading angle, and altitude.

## 1. Package Contents

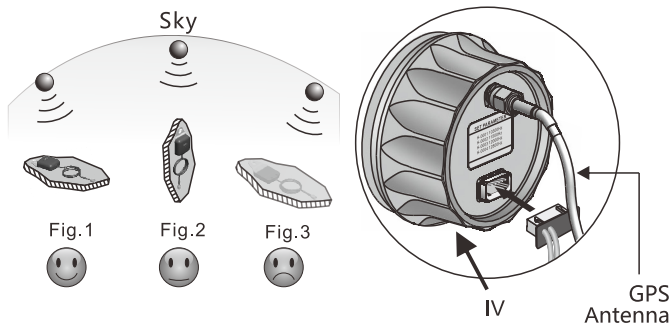
- Six-in-One Multi-Function Instrument ×1
- 5-core cable ×1
- GPS antenna ×1
- Instruction manual ×1

## 2. Installation Instructions

- 2.1 Open a hole with a diameter of  $\Phi 85\text{mm}$  (3-3/8") on the dashboard (II), ensuring at least 55mm (2-3/16") of clearance behind the dashboard for the instrument.
- 2.2 Remove the fixing ring (I), insert the instrument from the front, adjust the position, and secure the instrument (III) by tightening the fixing ring (I).
- 2.3 Connect the wire harness and GPS cable to the instrument (IV).



## GPS Antenna Installation Guide

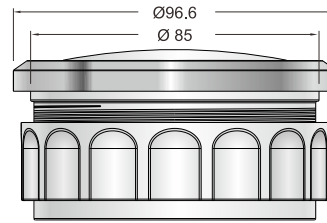


4. Install the GPS antenna outdoors, ensuring that the signal-receiving side of the antenna is facing the sky, as shown in Fig.1; If the GPS antenna is installed as in Fig.2, GPS signal reception will be affected; If installed as in Fig.3, the GPS signal will be severely affected, and in weak signal conditions, it may fail to receive any signal at all.

5. After powering on, the instrument requires approximately 1 minute to acquire satellite signals. Under strong signal conditions, positioning is typically completed within 40 seconds (initial positioning may take 1~2 minutes). When the vessel is moving, the pointer displays the real-time Speed Over Ground (SOG). While the vessel is docked, all data will remain unchanged, so the pointer should not be used as a reference. Accurate data will only be displayed once the vessel begins moving.

## 3. Dimensions

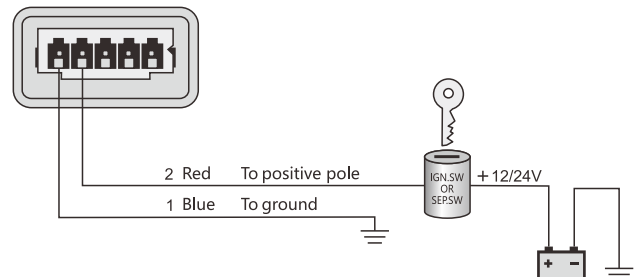
Display Area: 2.4 inches  
Resolution: 240 \* 320 pixels  
Installation Dimension:  $\Phi 85\text{mm}$   
Overall Dimensions:  $\Phi 96.6\text{mm}$



## 4. Electrical Specifications

Operating Voltage: 9~32 VDC  
Operating Current:  $\leq 170\text{mA}$  (12V)  
Operating Temperature:  $-30\sim+85^{\circ}\text{C}$  ( $-22^{\circ}\text{F}\sim+185^{\circ}\text{F}$ )  
Storage Temperature:  $-30\sim+85^{\circ}\text{C}$  ( $-22^{\circ}\text{F}\sim+185^{\circ}\text{F}$ )

## 5. Pin Definition



## 6. Settings Menu

### 6.1 Menu Operation

- 6.1.1 Press and hold the button on the back of the instrument to enter the menu interface.
- 6.1.2 In the menu interface: press and hold to select a menu item. Short press to switch between menu items.

	Main Menu	Submenu	Description
Setting	Language	中文	Display menu in Chinese
		English	Display menu in English
	Mileage Unit	Kilometer (km)	Speed unit is optional
		Mile (mi)	
		Nautical Mile (NM)	
	Speed Alarm	50	Alarm value is optional
	Function	Normal	Normal function
		Demo	Demo function
	Trip Reset	X	Reset the subtotal mileage
Exit	X	Return to the function main menu	