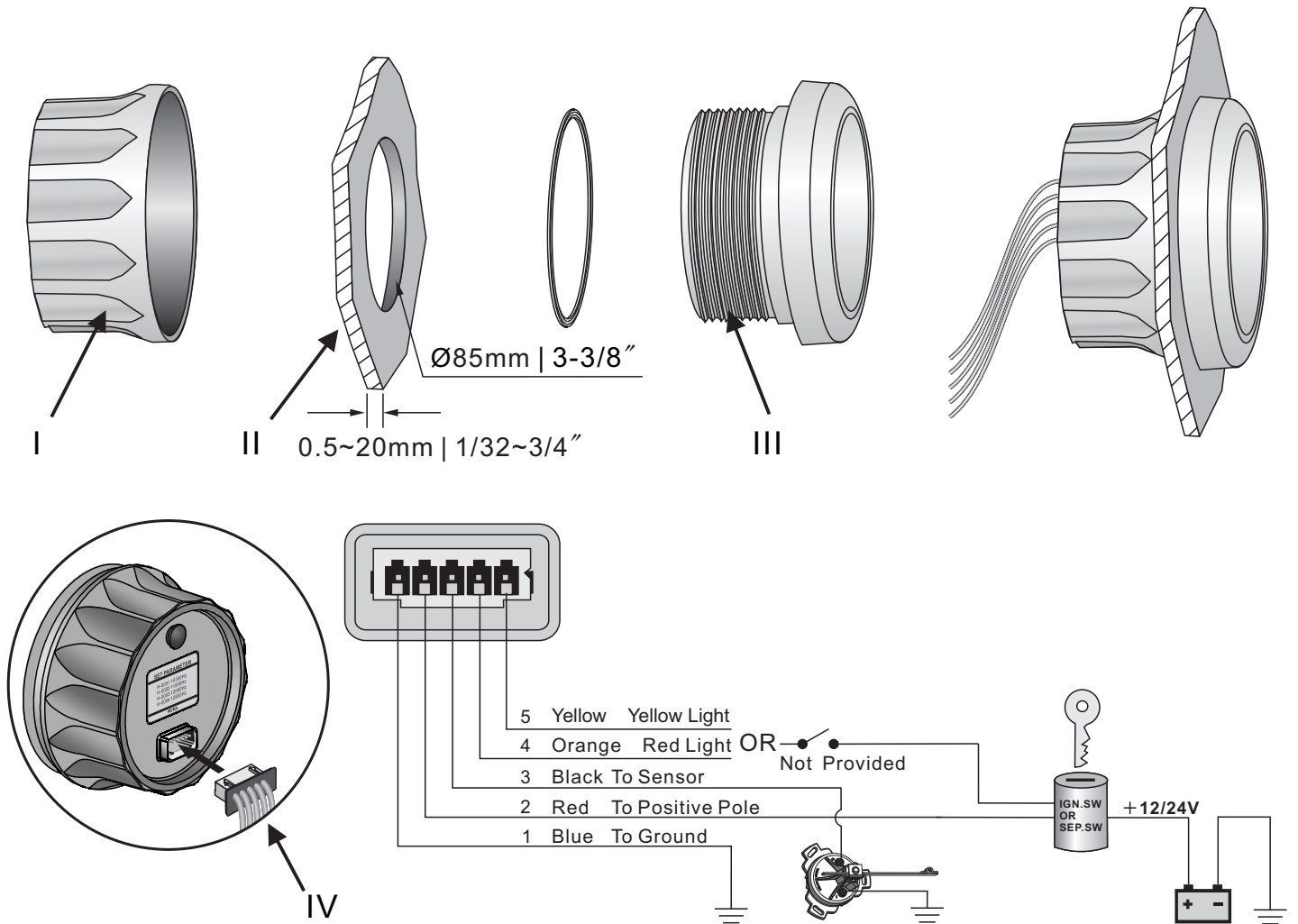


INSTALLATION INSTRUCTIONS



INSTALLATION STEPS

1. Make a $\text{Ø}85\text{mm}$ ($3\ 3/8''$) hole on panel. Insure there is 55mm ($2\ 3/16''$) space behind panel for gauge mounting.
2. Mount gauge in $\text{Ø}85\text{mm}$ ($3\ 3/8''$) hole. Twist back cover on after adjustment.
3. Base on wiring diagram to do cable connection. Gauge can be linked to 12/ 24V power directly.
4. Follow your fondness to choose red or yellow as backlight.
5. Debugging: if in the debugging process the gauge pointed middle position deviates from the real position of the rudder, you can regulate the angle of the rudder sensor properly so as to eliminate the deviation.

安装步骤

- 1、在仪表板上开一个直径为 $\text{Ø}85\text{mm}$ ($3\ 3/8''$)的孔，并确保仪表板后面至少要有 55mm ($2\ 3/16''$)的空间来放置仪表。
- 2、将仪表装入开好的孔中，调整好位置后将后盖圈拧紧。
- 3、按接线说明图将电线连接好，仪表可直接连接到12/24V的电源上。
- 4、可根据您的喜好选择红色或黄色的背光灯来照明。
- 5、调试：如果在调试的过程中仪表指示舵角的中间位置与舵的实际位置有差别，请适当调整舵角传感器的角度。使仪表指示舵角的中间位置与舵的实际位置一致。