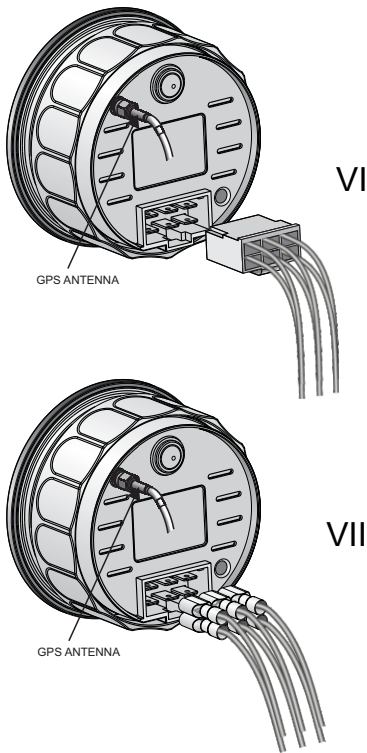
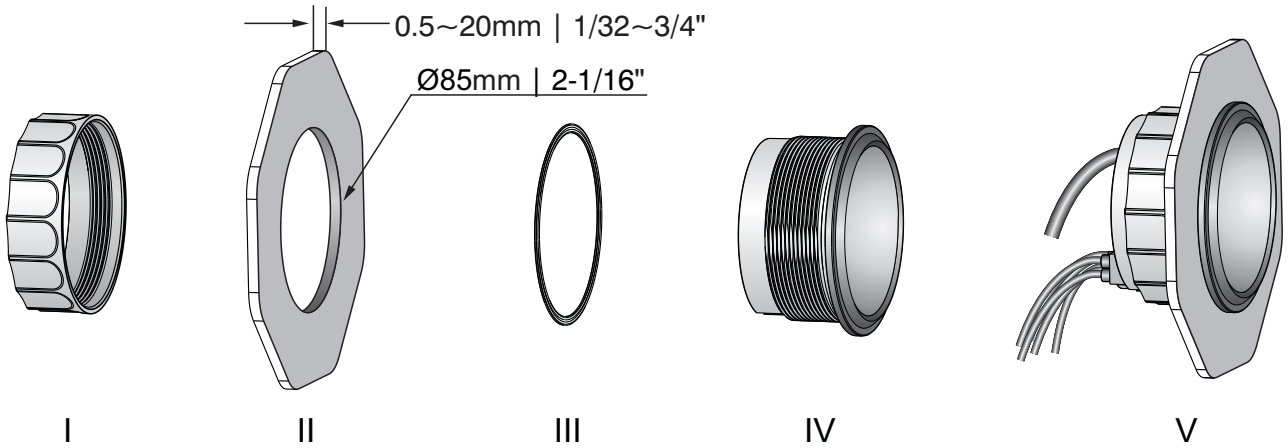


INSTALLATION INSTRUCTIONS

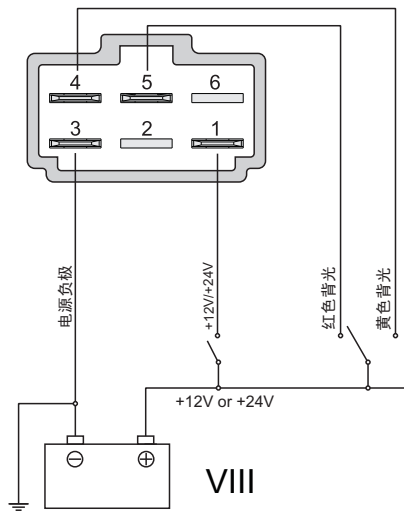


电气连接

- 1: 12VDC/+24VDC
- 2: 不连接
- 3: 电源负极
- 4: 黄色背光 (连接到+12V或+24V)
- 5: 红色背光 (连接到+12V或+24V)
- 6: 不连接

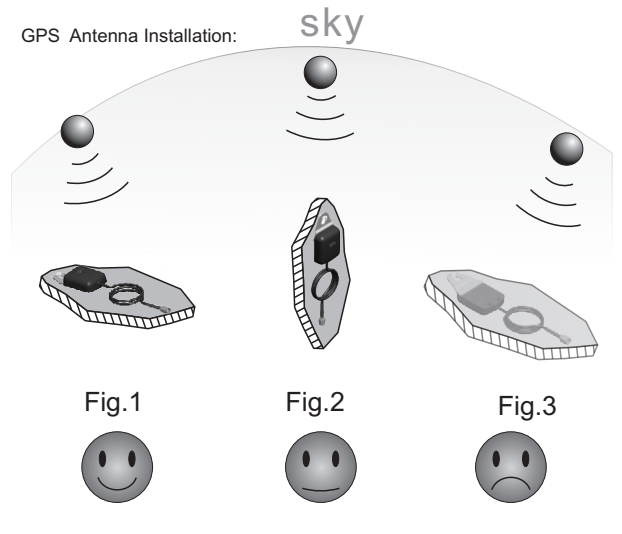
VI

VII



VIII

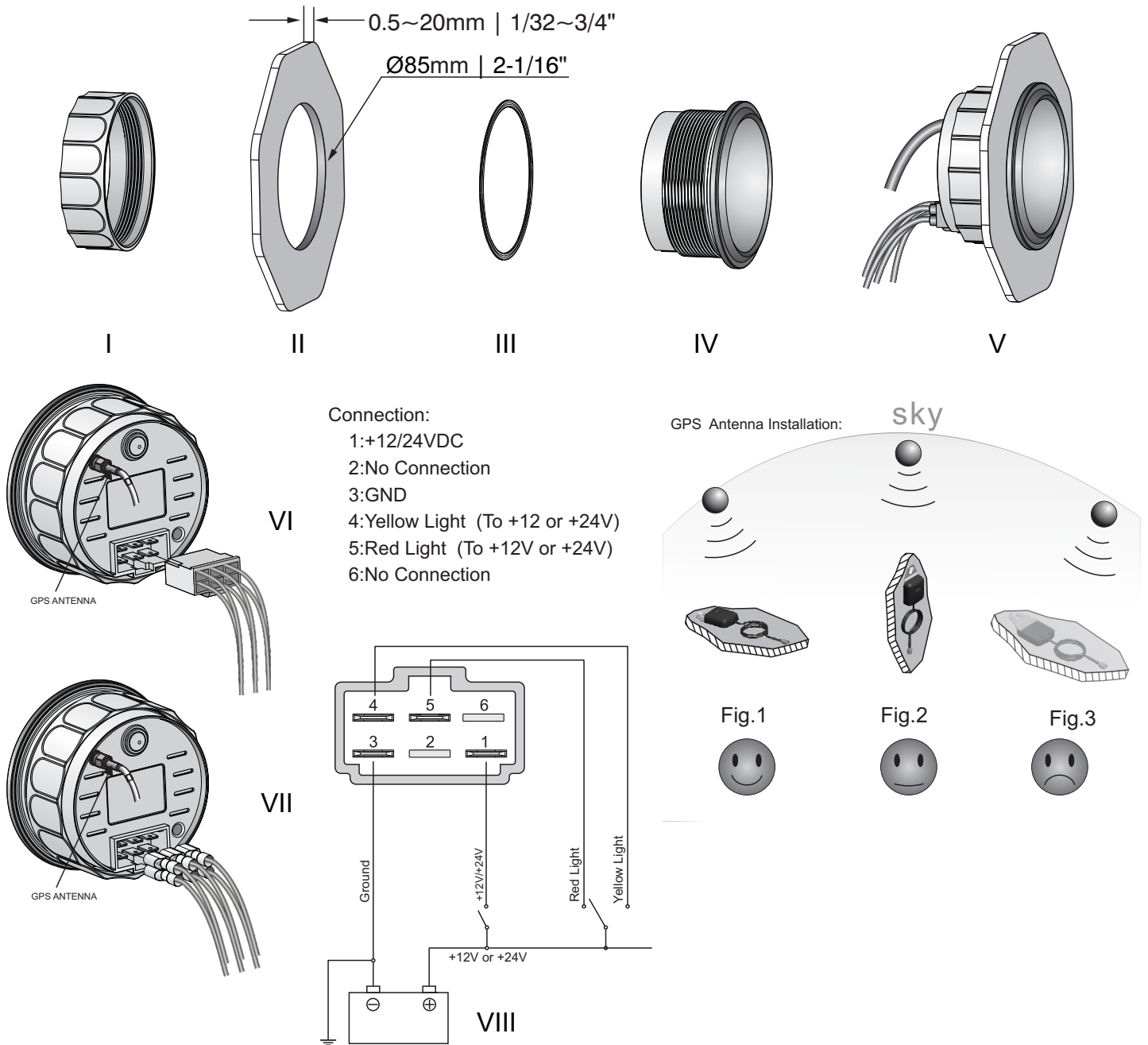
GPS Antenna Installation:



安装步骤

1. 在仪表板上开一个直径为 $\Phi 85\text{mm}$ ($3\ 3/8"$) 的孔(II),并确保仪表板后面有足够的空间来安装仪表和线束。
2. 将橡胶密封圈 (# III)装入仪表 (# IV)中,然后将仪表 (# IV)装入仪表板 (# II)开好的圆孔内,再用固定圈 (# I)旋紧。
3. 参照接线图 (# VIII)连接电线,如果您用12V电源,请将电源线连接到1号端子;如果您使用24V电源,请将电源线连接到2号端子。如果没有2号端子,表示1号端子可以直接连接到10~32V电源上。特别注意不可接错,以免损坏仪表!
4. 如果您喜欢黄色的背光,请将4号端子直接连接到+12V/ +24V电源上,5号端子不连接;如果您喜欢红色背光,请将5号端子直接连接到+12V/+24V电源上,4号端子不连接。
5. 仪表端子的尺寸: $6.3 \times 0.8\text{mm}$,请选用与之匹配的母端子,如图VII。果您需要选择图VI带连接器的连接方式,请从销售商处另外购买。
6. 将GPS天线安装到户外,并确保固定好的GPS天线接受信号一面面对着天空,如图Fig.1;如果GPS天线安装如图Fig.2, GPS信号的接收将会受到影响;如果GPS天线安装如图Fig.3, 则GPS信号将受到非常大的影响,信号较弱时可能完全接收不到信号。
7. 通电之后,仪表需要1分钟左右的时间去接收卫星信。信号强的时候一般40秒以内即可完成定位(初次定位可能需要1~2分钟的时间)。当船移动时,仪表将在COG上显示以顺时针方向的偏北角角度,指针显示相对地的即使速度(SOG)。在船停靠期间,所有的数据将不会变化,所以指针不能作为参考使用,要直到船开始移动,仪表上显示的数据才会准确。
8. 所有的数据仅作为参考,不应作为唯一的导航指示数据。
9. 仪表LCD上显示: ERR, 表示GPS信号弱或者GPS天线故障,请检测GPS天线安装位置信号接收是否正常,或则检测GPS天线是否已经损坏。

INSTALLATION INSTRUCTIONS



INSTALLATION STEPS

1. Cut a $\Phi 85$ mm (3 3/8") hole (II) on the panel, and ensure there is enough space behind the panel to fit the gauge and wire harness.
2. Mount the sealing ring ((# III) on the gauge ((# IV), and put the gauge (# IV) in the hole on the panel (# II), fasten it with a fixing ring.
3. Connect the wires according to the wire connection diagram ((# VIII). If power supply is 12V, please connect power cord to terminal 1; If power supply is 24V, please connect power cord to terminal 2; If there is no terminal 2, it means terminal 1 can directly connect with 10-32V. Attention: Wrong connection may get the gauge damaged.
4. If you prefer yellow backlight, connect terminal 4 to +12V/ +24V power supply, terminal 5 disconnected; Conversely, you can get red backlight;
5. Dimension of the terminal: 6.3x0.8mm. Matched female terminal shall be chosen, see VII.
If the connection needs to be with connector as VI shows, you can get the terminal from retailer.
6. Securely fasten the GPS antenna (V), preferably outdoors (or inside front windscreen) so that it has a clear view of the sky to pick up satellite signals. Connect the antenna cable to socket on the gauge. Do not cut cable.
7. After turning power on, allow the gauge to sample satellite signal for 1 minute. The gauge will show speed in knots (SOG) and Compass (COG) only when the boat is moving. While boat is lying still all data is frozen, so the compass cannot be used as a reference until the boat is moving, when the signal is recovered.
8. All data is for reference only and should not be trusted as sole navigation source.
9. When it shows ERR on the LCD, it means the GPS signal is weak or something wrong with the GPS antenna. Please check the if the signal receiving where the GPS antenna installed is OK, or if the GPS antenna is damaged.