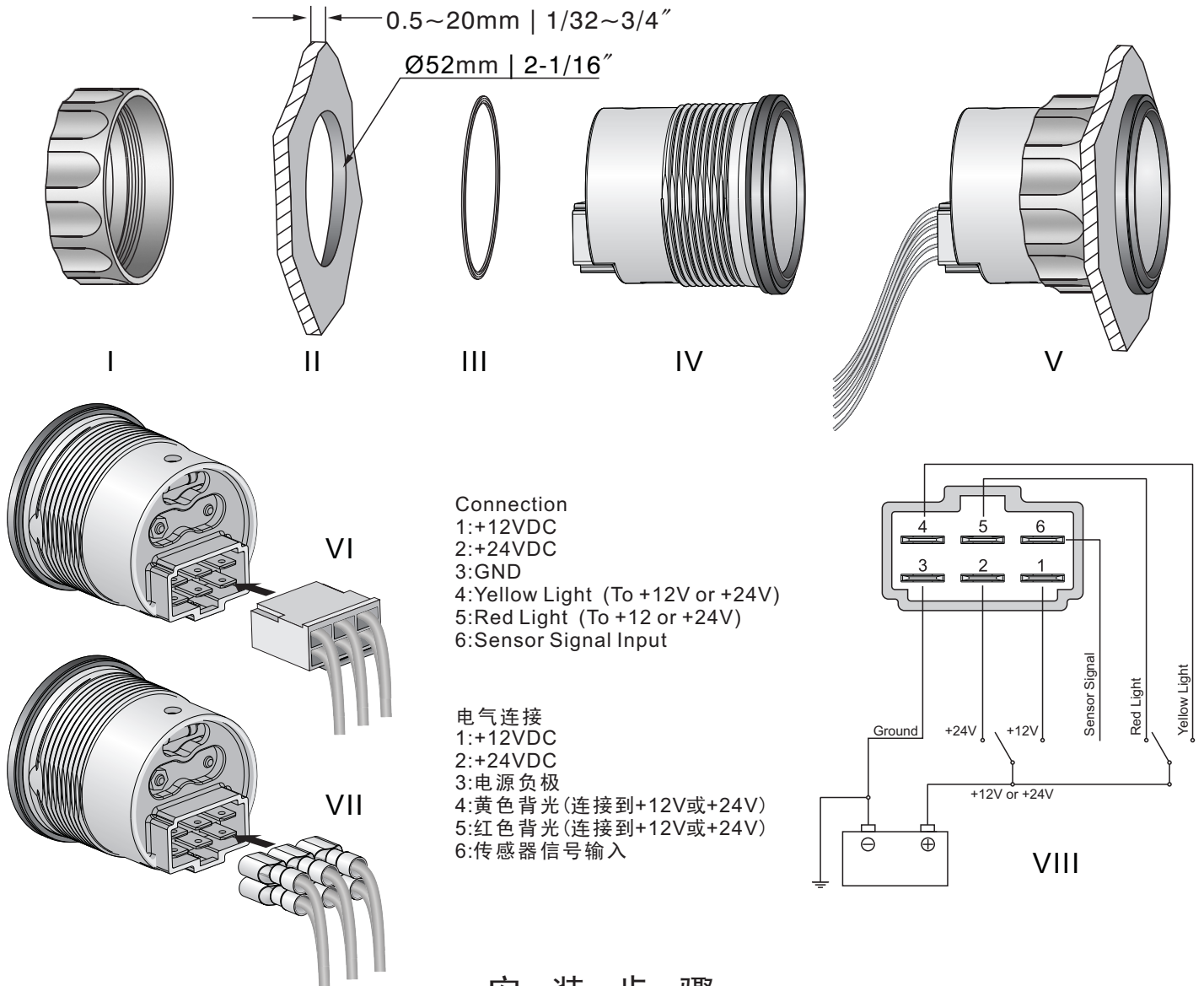


INSTALLATION INSTRUCTIONS



安装步骤

- 在仪表板(II)上开一个 $\Phi 2-1/16"$ ($\Phi 52\text{mm}$)的圆孔。并确保有足够的空间来安装仪表和线束。
 - 将橡胶密封圈(III)装入仪表(IV)中,然后将仪表(IV)装入仪表板(II)开好的圆孔内,再用固定圈(I)旋紧。
 - 参照接线图(VIII)连接电线,如果您用12V电源,请将电源线连接到1号端子;如果您使用24V电源,请将电源线连接到2号端子。特别注意不可接错,以免损坏仪表!
 - 如果您喜欢红色的背光,请将5号端子直接连接到+12V/+24V电源上,4号端子不连接;如果您喜欢黄色背光,请将4号端子直接连接到+12V/+24V电源上,5号端子不连接。
 - 如果您购买的是电压表,请不要连接6号端子。
 - 仪表端子的尺寸: $6.3 \times 0.8\text{mm}$, 请选用与之匹配的母端子,如图VII。
- 如果您需要选择图VI带连接器的连接方式,请从销售商处另外购买。

INSTALLATION STEPS

- Cut a $\Phi 2-1/16"$ ($\Phi 52\text{mm}$) hole in the panel (# II) allow enough space to assemble gauge and harness.
- Insert the rubber ring (# III) into the gauge (# IV), put the gauge (# IV) into the hole in the panel (# II), and fasten it with the fastening ring (# I).
- Connect cables according to the diagram.
 Connect power line to terminal 1 if 12V power is used;
 Connect power line to terminal 2 if 24V power is used;
 Attention: Ensure correct connection, or else, the gauge will be damaged.
- If you prefer red backlight, you can connect the terminal 5 to +12V/+24V power, terminal 4 disconnected;
 If you prefer yellow backlight, you can connect the terminal 4 to +12V/+24V power, terminal 5 disconnected;
- If it is voltagemeter that you have, don't connect it with terminal 6.
- Dimension of the terminal on gauge: $6.3 \times 0.8\text{mm}$. matched terminal shall be used, see picture VII.
 If you want to choose the connection with connector as picture VI, you shall buy it separately from the retailer.