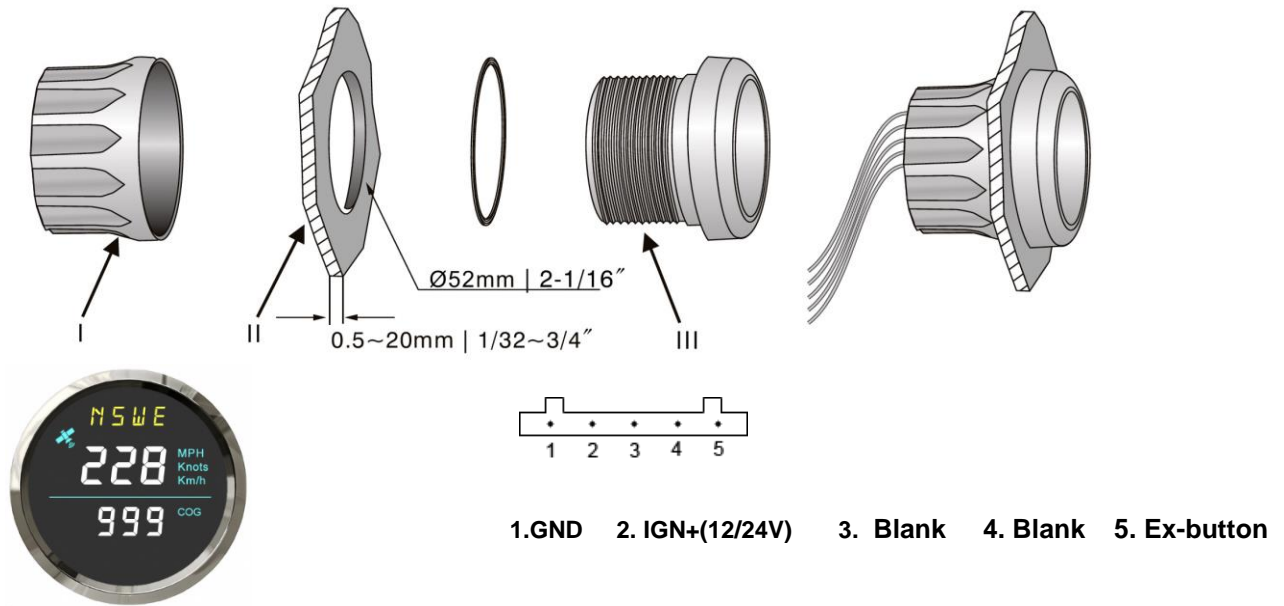


User Guide for 52mm GPS Speedometer



INSTALLATION GUIDE

1. Cut an $\Phi 52\text{mm}$ (2-1/16") hole in the panel (II) allow a clearance of 55mm (2 3/16"). behind the panel.
2. Remove fastening ring (I), insert gauge from front. Tighten gauge (III) using fastening ring (I)
3. Connect cables according to the diagram/label.
4. Connect GPS Antenna and put it to good position pointing the sky directly.
5. After turning power on, allow the gauge to sample satellite signal for 1 minute. The gauge will show speed in knots/km/mph
6. All data is for reference only and should not be trusted as sole navigation source.

Function Select: "UNIT"

Press and hold on the external button, then turn on the power supply.

The screen will show "UNIT", You can select the function to be set after release button.



"UNIT"(switch unit between km/h, mph or knots)

After selecting "UNIT", the screen will show km/h, mph or knots. Please choose the unit needed. Then restart to save the setting.