

Car Head Up Display C700S(OBD2+GPS)

(This product Design Patent and Display Images Copyright had been registered with customs record)

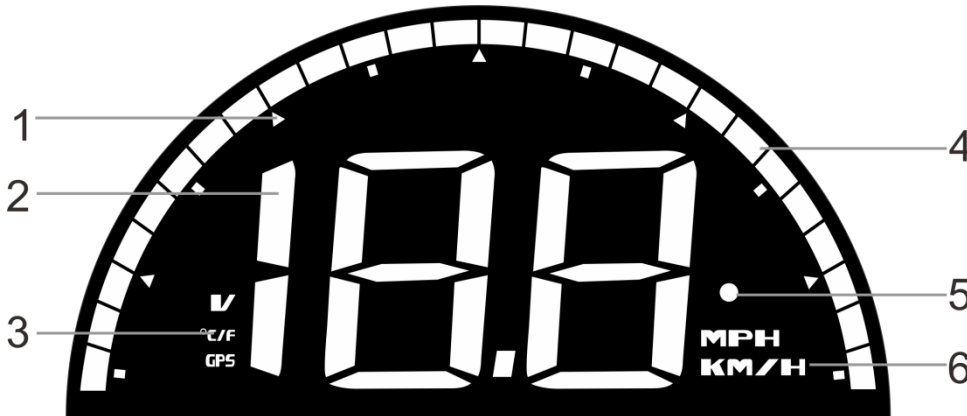
Kindly attention:

Working voltage: 11V~18VDC (12vdc/200ma),please use a USB cable when voltage higher than 24v

Product introduction

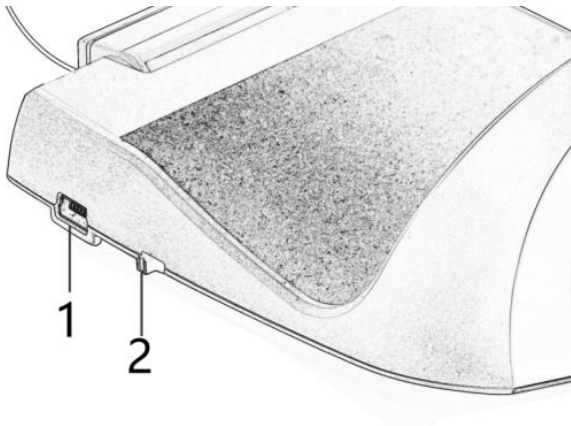
HUD short for Head Up Display.It displays driving data on the car windshield such as speed,RPM,water temperature,voltage,single mileage etc;avoiding drivers unsafely because of watching the instrument while driving.Drivers can read the driving information instantly, and always keep the best state on the way with HUD.

Functions



- 1.Decorative lights:always all bright(long pull up the setting button to turn off)
- 2.Multi functions area:OBD mode:Speed,battery voltage,water temperature
GPS mode:Speed,battery voltage,satellite numbers
- 3.Unit icons:V=battery voltage, C=Celsius water temperature,F=Fahrenheit water temperature,GPS-satellite icon
- 4.RPM icon:The engine speed is displayed in OBD mode, and the speed icon is displayed in GPS mode.
- 5.Light sensor:HUD can automatically adjust the brightness according to the environment
- 6.Speed unit:KM/H=kilometer/hour, MPH=Mile/hour

System choice:



1. USB port

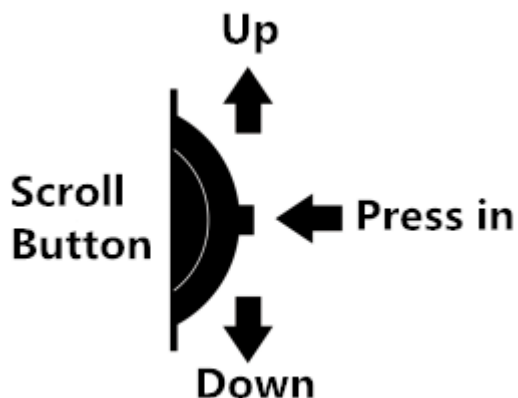
2. System choice: Up-OBD, Down-GPS

OBD display: (available for cars with OBD2 interface)

Functions: Vehicle speed, Engine RPM, Water temperature, Voltage, Driving distance after flame-out, RPM icon, Decoration icon

GPS display: (Universal for cars, buses, trucks...)

Functions: Vehicle speed, Satellite numbers, Speed icon, Decoration icon



When the setting button in the right

1. Short pull up

- (1) to switch the display mode (normal mode/high speed mode/simple mode)
- (2) "+" the parameter value, after entering into the setting menu

2.Short pull down:“-”the parameter value,after entering into the setting menu

3.Short press in

OBD mode:switch functions: voltage/water temperature/Speed

GPS mode: after entering into the setting menu, to add the menu

4.Long pull down:turning off/on the alarms

5.Long pull up:all lights will be on, to eliminate the fault code, do it again to save and exit

6.Long press in: to enter into the setting menu(menu 1-11,details please refers to the manual),when finish the adjustment, long press in the button to save and exit

Factory reset

When the HUD turns off, long press-in the wave button and at the same time turn on the HUD, all the LED lights will be on, and then release the button, the reset finished.(details please refer to the setting menu table)

Clear the fault code: (works after OBD get signal)



When HUD is power on, long pull up the button for 5 seconds, then all the lights will be on, it means finished, do it again to save and exit

Turn off/on the buzzer

Pull down the setting button for 5 seconds,to turn off the buzzer,do it again to turn on the buzzer

HUD setting

vertical long press in the setting button for 5s to enter the menu setting, vertical short press to increase the menu option, up and down the setting button to increase or decrease the parameter value. After adjustment, vertical long press 5 seconds to save and exit.

Menu	Functions	Range	Explanation	Default
	Speed	50-150	When the Speed is not the same as dashboard:Up or down the setting button to adjust	107
	RPM alarm	10-75	HUD will give the alarm when the RPM reach to 5000 r(50=5000r),the default alarm can be changed	50

	4 stages alarm	0-1	0=alarm off 1=alarm on(alarm icon will light up when speed at 60,80,100,120KM/H)	0
	Overspeed alarm	30-199	alarm icon will light up when speed at 150KM/H)	150
	Display mode	0-2	0 is high-speed mode: when speed > 80km/h, hud will show speed only;and when speed over 80km/h,hud is in high speed mode,1 is display all information, 2 is high speed mode(only display speed)	1
	Brightness	0-11	0=automatic brightness 1=darkest 11=brightest	0
	Speed unit	0-1	0=KM 1=MPH	0
	Water temperature unit	0-1	0=°C 1=°F	0
	Working voltage	0-15.0	If HUD cannot auto turn off,change the voltage at 132(means 13.2V)	0
	Shutdown time	20-199	The default shutdown time is 20s,if your car is gas-electric hybrid or start-stop system,please delay the shutdown time(e.g. 180s),then the HUD will be turned off	20
	Factory reset	0-1	default is 1,for factory reset,please set the parameter to 1(vertically press the setting button for 5s, then return to the display interface).	0

Please note:please manually turn off the HUD,when you don't

drive your car for more than a week

OBD Troubleshooting

1.The screen without any display, and no power

Start the car engine; check if the OBD cable line is tight; please pull down the OBD cables more times to ensure; check if HUD power switch turns on. If still no display, please change another car to test, analyze whether the car OBD diagnostic interface is good, if it is not good, please repair it and try again.

2.When HUD power on, HUD only shows the car voltage and be automatic power off after 30 seconds driving.

HUD just available for cars with OBD2 agreement and EU-OBD agreement (European region: after 03 years, Other region: after 07 years)

HUD Products don't support JOBD and OBDI and recommended test for another car.

3.Wrong operation lead to crashes

Do a factory reset.

When HUD is power on, long press in the setting button for 5 seconds to enter into the menu setting mode, short press in the button for 11 times to menu 11,the default value is 0,short pull up or pull down to change it at 1,then long press in the button for 5 seconds to save and exit

4.Inaccurate Speed

a. First check the speed unit is correct or not, the speed unit including KM/H and MPH, set it at the correct one(refer to menu 9)

b. When HUD is power on, vertical press the setting button for 5 seconds to enter into the menu 1 and the parameter shows 107,up or down the setting button to increase or decrease the value according to the difference until it shows correct one. After adjustment, vertical press in 5 seconds to save it.

5. The car are with Automatic start/stop system

Once the vehicle engine stopped,the HUD will shutdown. It can delay the shutdown time to 199s,please refer to the menu setting 10.

6.HUD can not auto power off(RPM or Speed not at 0)

When HUD is power on,long press in the button for 5 seconds to enter into menu,set to menu 9. Change the voltage from 0 to 13.2V. Once the adjustment finished,long press in the setting button for 5 seconds to save and exit.

7. HUD will automatically restart

Indicates that the voltage is higher than the starting voltage 13.2 volts, the setting item 9th

parameter value is adjusted to 13.6-13.8

GPS Troubleshooting

1. The screen without any display, and no power

1.OBD line connection case: Start the car engine, HUD in order to prevent power consumption, the start voltage set to 13.2 volts, as long as the car after the voltage reached 13.2 volts to automatically boot, check the OBD line or car charging line is connected to the elastic, pull down repeatedly plug several times, with a USB cable into the cigarette smoke device

2. HUD cannot be automatically powered on or repeatedly extinguished during driving

Under OBD line connection: HUD will turn off when voltage lower than 13.2v.Vertically press the button in(5s)to enter into menu 11,adjust the default parameter 13.2 to 12.8 or 12.6.

3. HUD doesn't automatically turn off after flame-out

OBD line connection: the default turnoff voltage is 13.2v.HUD will auto on when voltage higher than 13.2,oppositely,it will auto off.Please enter into menu 11 and change the parameter to 13.5 when your HUD cannot automatically off.

4.Inaccurate speed

Power on the case, vertical long press the Dial key 5 Seconds to enter the menu options, menu display 0, parameter value 107, depending on how much difference you and the instrument panel, on the dial or allocated, increase and decrease, the difference in the speed value. After adjusting, the dial key is pressed vertically for 5 seconds to exit.

Technical Parameters

1.Terms of Use:Environment temperature:-40C— +80C Barometric press: 86-106KPa

Relative humidity:10%-95%

Environment voice:<=60dB

2.Work voltage:11V~18Vdc(12Vdc/200mA)

3.Sleep current:<=30mA

4.Display way:projector

5.Display channel :LED Display

6.Reflector transmittance: 98%

7.Virtual image distance: 55 mm