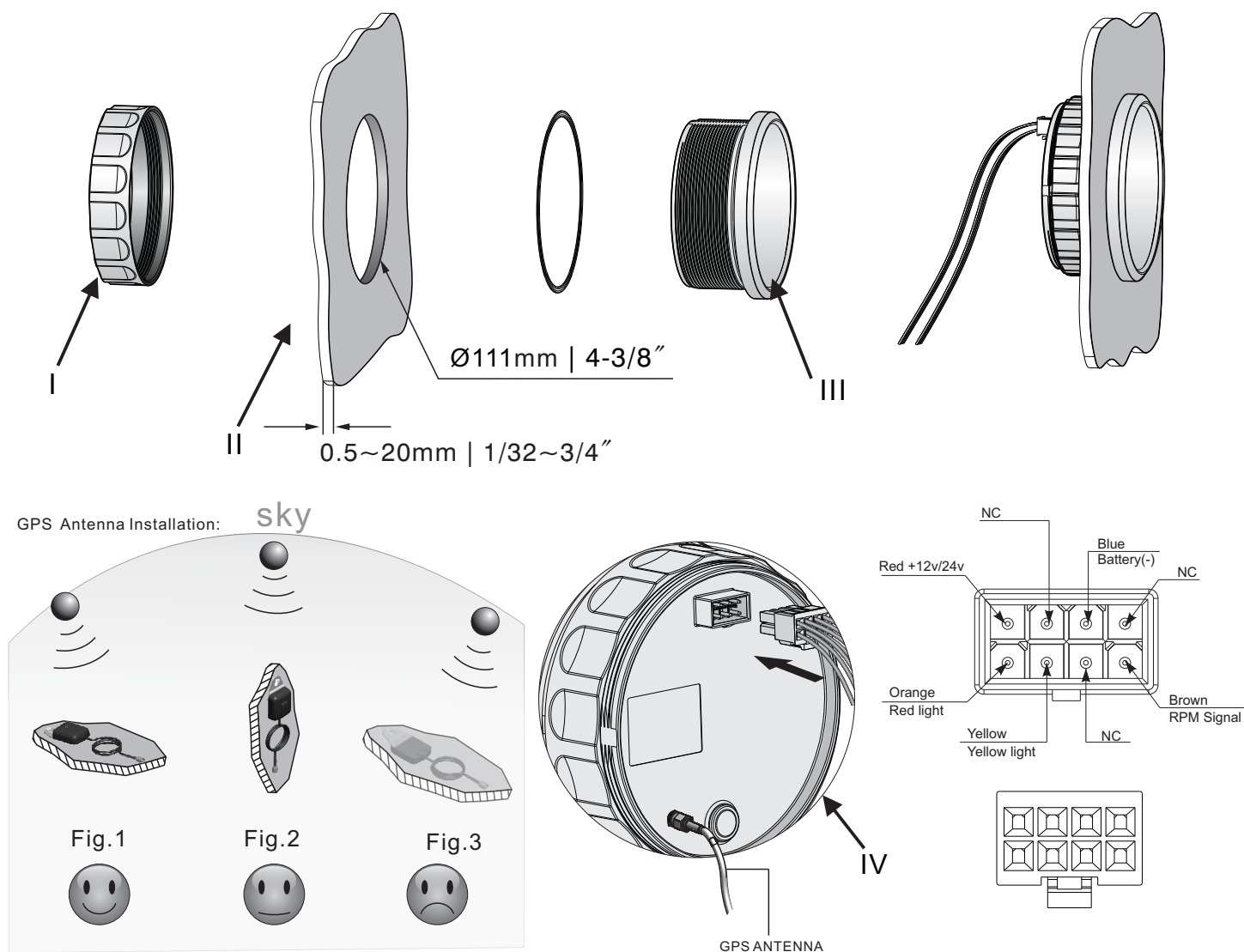


INSTALLATION INSTRUCTIONS

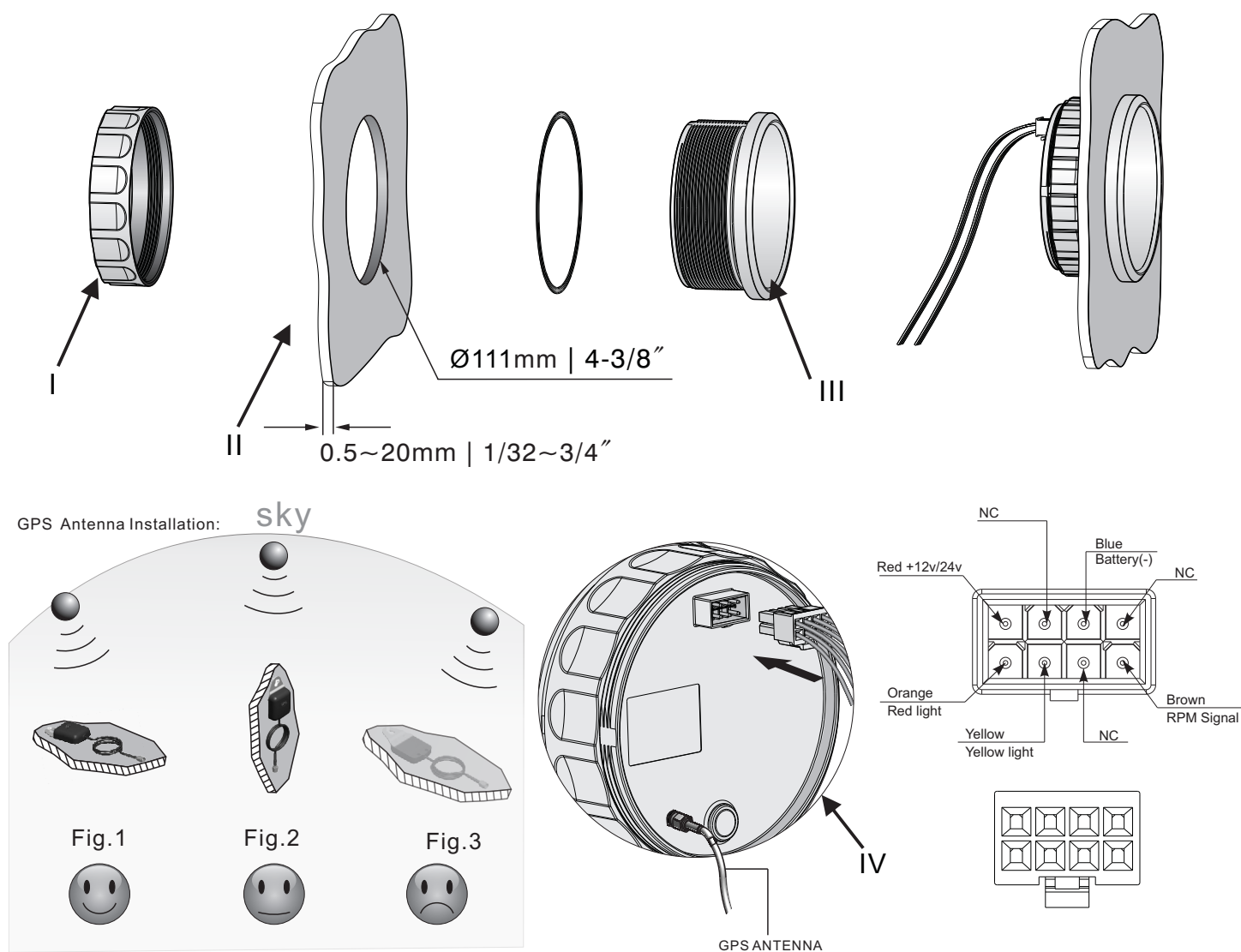


INSTALLATION STEPS

1. Cut a 111 mm(4 3/8") diameter panel hole(II).You will need a minimum clearance of 55mm(2 3/16") behind the panel to fit the gauge.
2. Take off the fastening ring(I),place the gauge into the panel hole, adjust its position and then fasten the rear cover.
3. According to wiring instruction to do wire connection. Gauge can be connected to 12VDC and 24VDC power directly.
4. Select either red or yellow backlight by your fondness.
5. Insert the wire harness (IV) firmly in the gauge.
6. Securely fasten the GPS antenna (V), preferably outdoors (or inside front windscreen) so that it has a clear view of the sky to pick up satellite signals. Connect the antenna cable to socket on the gauge. Do not cut cable.
- 7.After turning power on, allow the gauge to sample satellite signal for 1 ~2 minute.

Note:
when the built-in antenna GPS speedometer is used, there is no necessary to install an antenna accessory for it, just skip the step 5.

INSTALLATION INSTRUCTIONS



安 装 步 骤

- 1.在仪表板上开一个直径为 $\Phi 111\text{mm}$ (4 3/8")的孔(II),并确保仪表板后面至少要有55mm(2 3/16")的空间来放置仪表。
- 2.去掉固定圈(I),将仪表装入开好的孔中,调整好位置后将后盖圈拧紧。
- 3.按接线说明图将电线连接好,仪表可直接连接到12/24V的电源上。
- 4.可根据您的喜好选择红色或黄色的背光灯。
- 5.将线束和GPS天线连接到仪表上(IV)。
- 6.将GPS天线安装到户外,并确保固定好的GPS天线接受信号一面面对着天空,如Fig.1;如果GPS天线安装如Fig.2, GPS信号的接收将会受到影响;如果GPS天线安装如Fig.3,则GPS信号将受到非常大的影响,信号较弱时可能完全接收不到信号。
- 7.通电之后,仪表需要1~2分钟左右的时间去接收卫星信。

注:如使用内置天线的GPS速度表则不需要安装天线,请忽略步骤5。