

GPS Smart digital meter

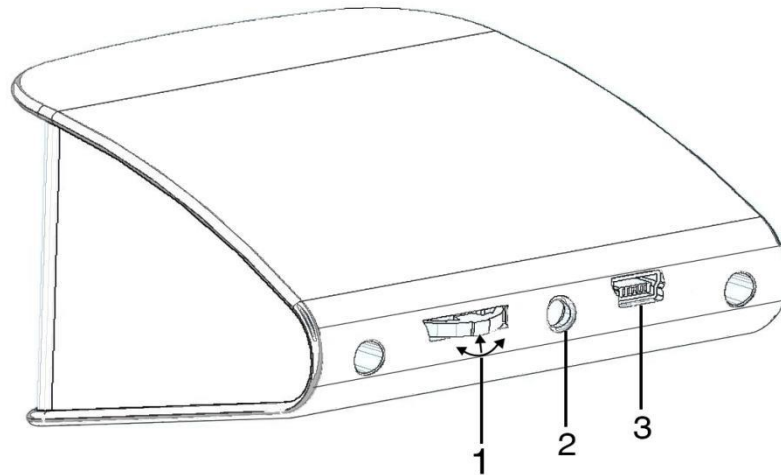
Introduction

the main function is to display the car dashboard information(e.g.speed,driving direction,local time,driving distance,driving time),and keep the driver's eyes always on road to avoid the dangerous of lowering down head to read the dashboard.

Main Functions&Features

- 1.Work for all the vehicles,easy installation,plug and play
- 2.TFT LCD multi color smart display
- 3.The language can be changed
- 4.Multi function display or simple function display can be switched freely
- 5.New functions: accelerating competitive mode ,Brake performance test
- 6.Rich Contents:driving speed,voltage,single driving distance,total driving distance,driving time,over speed alarm,freely switch between kilometers&miles.

Key functions



- 1.Setting button:it can push left / right, short / long press in
- 2.Light sensor
- 3.USB interface



Setting button functions

1. Short press in:(1) switch the display mode (2)confirm the menu after enter into the menu
2. Push left:(1)switch the left area functions(2)change the function setting after enter into the menu
3. Push right:(1)switch the right area functions(2)change the function setting after enter into the menu
4. Long press in:after enter into the menu and finish the setting,long press in for 5 seconds to keep and exit.

Push left/right to switch function:

Below are function abbreviations

GPS- the available satellites	VLT-Voltage	DIR-Driving direction
RTC-Local time	ODO-odometer	TIM-Driving time
DIS-Single Driving distance	ALS-Altitude	

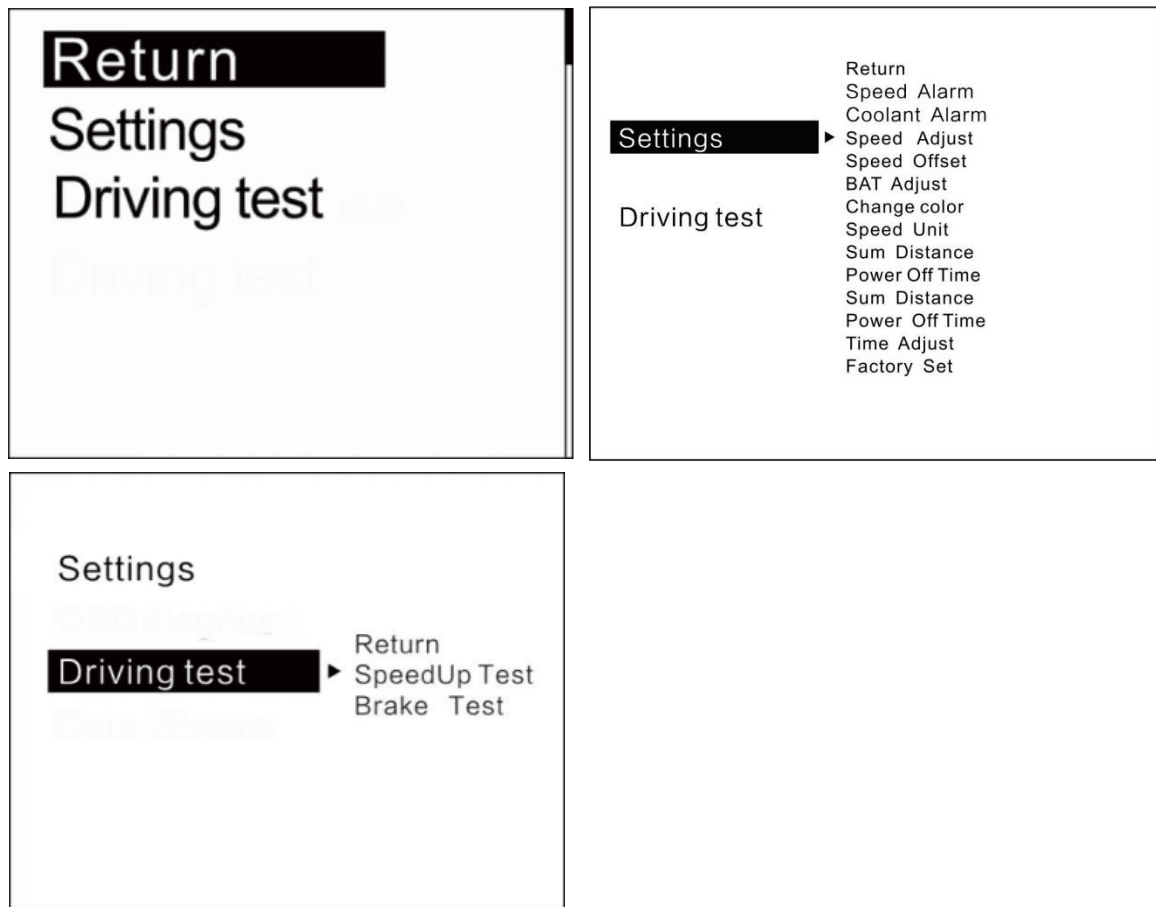
Performance Testing

Speedup test: show the speed,distance,driving 400m takes time,driving 100m takes time

Brake Test: Brake when the speed is over 60 KM/H, then it show brake distance and time

Setting Mode

Long press in to enter into the setting mode,push right to choose the menu,and short press in to confirm.Once finishing the setting,long press in to exit.



Setting functions

Language Set:Please choose your familiar language

Warning Tone:turn on/off the buzzer

Speed Alarm:the default value is 150 (the default value can be changed,push left is to decrease,push right is to increase)

BAT Alarm:default value is 10.5V, it means this device will give alarm when battery voltage is lower than 10.5V

Speed Adjust:adjust the speed according to the dashboard,default value is 107%

Speed Offset:When the vehicle turns off,but the device speed is not 0, then adjust the device Speed Offset value, if the device speed shows 5KM/H, then change the device Speed Offset default value at 5

BAT Adjust:if the battery voltage is different with the vehicle,it can be adjusted.

Change Color:choose the display color that you prefer

Speed unit:default is KM,can be changed to Mile

Sum distance:can make the total driving distance same as dashboard(if the dashboard shows the sum distance is 30000Km,the user can make the device value at 30000KM)

Power off time:default power off time is 10s,for Auto start and stop cars,please make the power off time to 180-240s

Sleep Voltage:default is off ,if the device can't auto off,please adjust the voltage at 13.2V or higher

Local time adjustment:When the device searched the satellite successfully,adjust the device time as your local time and exit.

Factory set:short press in to do the factory set

Technical Parameters:

Environment temperature: -40c- + 80c

atmospheric pressure 86-106KPa

Relative Humidity: 10% -95%

environmental noise <= 60dB (A)

Alarm sound level: >> =30dB (A)

Working voltage: 9V ~ 16Vdc (12Vdc / 400mA)

Product size: 73*68*46(cm)

Product Weight: 50 g

Troubleshooting

1.The screen without any display,and no power

Start the car engine;check if the cable line is tight;or connect the USB to the computer to check

2. Inaccurate time

When the device search the satellite successfully(the default 8:00 will change to China local time), set it to your local time and save and exit.

3.Inaccurate Speed

When the product is power on,long press in the button to enter into the menu option,and right push once switch to setting,then short press in the button to the menu,and right push the button switch to the speed adjust option.(if the dashboard shows 100,and the device shows the 101,change the default value at 106%)

4.Over speed alarm

Default alarm is 150KM/H,please refer to the setting to change the value.

5.The device cannot auto power off

After vehicle turns off,the device still display the speed,switch the setting to Speed Offset,and adjust the value same as the device speed.(if the device shows 5KM/H after the vehicle turns off,then change the speed offset at 5KM/H)

6.Wrong operation lead to crashes

Do a factory set