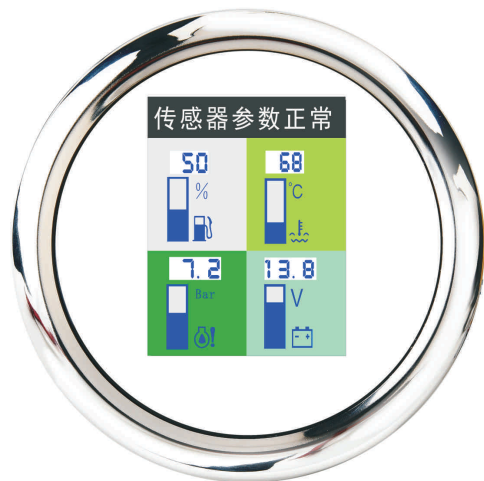
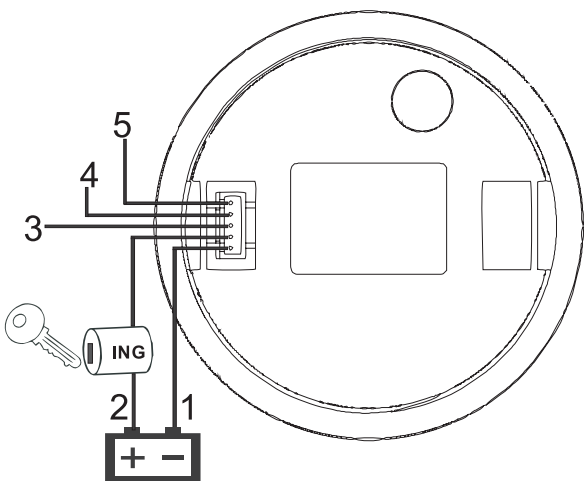


Before installation, firstly, to open a hole $\Phi 85\text{mm}$ of the panel, make sure there is a space with (55mm backyard of panel) as well.

在仪表安装板上开一个直径为85mm的孔并确保仪表板后面至少要有55mm的空间。

Put the gauge in the hole and screw down.

将仪表装入开好的孔中 调整好位置后将后盖圈拧紧。



接线方式
 1 黑色线: 电源负极
 2 红色线: 9-30VDC
 3 蓝色线: 燃油信号
 4 黄色线: 水温信号
 5 白色线: 油压信号

Connection
 1 Black: Ground(-)
 2 Red: 9-30VDC
 3 Blue: Fuel
 4 Yellow: Water temp.
 5 White: Oil pressure