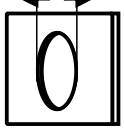


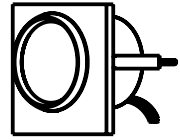
Φ85-87mm(3-2/5")



A

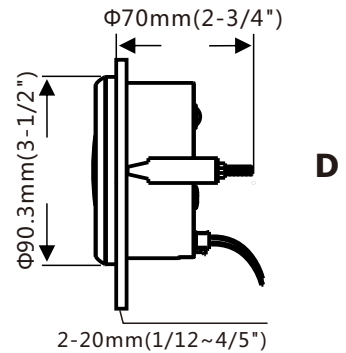
如A图，在准备安装仪表面板上开孔Φ85~87mm，并保证面板后面有至少70mm的空间。

Pic A : Before installation , firstly ,to open a hole (Dia:85~87mm) of the panel, make sure there is a space with (70mm backyard of panel) as well



B

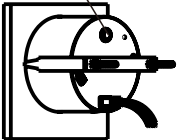
如B图，将仪表放入开好孔的仪表面板中  
PicB: Put the gauge in the hole



D

如D图，关于外形尺寸的标注说明  
Pic D: Size and annotations

Button: Adjust the speed ratio



C

如C图，用M4螺母和C型固定扣将仪表锁紧在仪表面板上  
Pic C: Using M4 nut and C type bracket to seal up the gauge

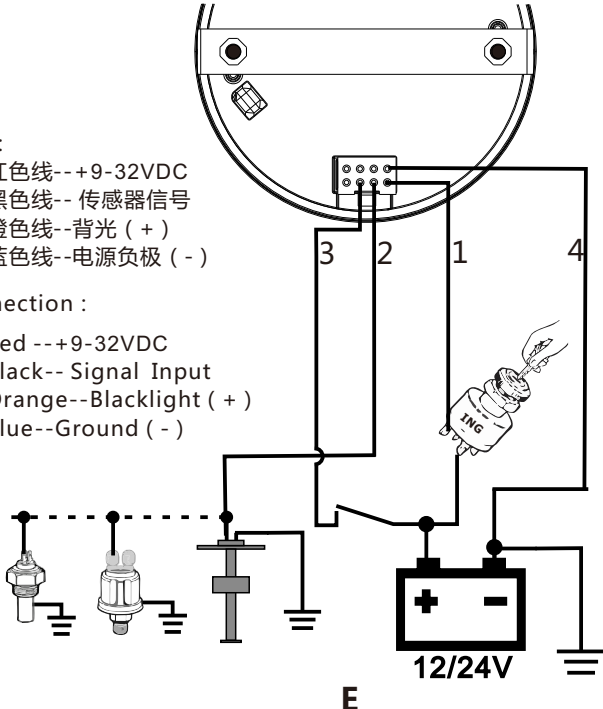
如果您使用的是舵角表，且舵角表和传感器方向相反  
请按此橡胶按键，仪表指针的方向会变向  
If you are using a rudder angle gauge and its pointer is moving in the opposite direction to the sensor, please press this rubber button so that the direction of the pointer changed.

接线：

- 1、红色线-- +9-32VDC
- 2、黑色线-- 传感器信号
- 3、橙色线--背光 (+)
- 4、蓝色线--电源负极 (-)

Connection :

- 1、Red -- +9-32VDC
- 2、Black -- Signal Input
- 3、Orange -- Blacklight ( + )
- 4、Blue -- Ground ( - )



E

Wires Connecting

技术参数：

工作电压：9~32VDC，  
工作电流：≤60mA；  
工作温度：-30~+75℃  
存储温度：-40~+85℃。

Specification :

Operating Voltage : 9~32VDC ,  
Operating current : ≤60mA;  
Operating temperature : -30~+75℃  
Storage temperature : -40~+85℃.

参考E图连接电线，如果是电压表和小时计，则没有黑色电线

Pic E(Wires Connecting) : Generally,pls note the black wires is not included in volt gauge and hourmeter.