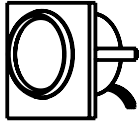
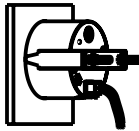


如A图,在准备安装仪表面板上开孔Φ52~53mm,并保证面板后面有至少70mm的空间。

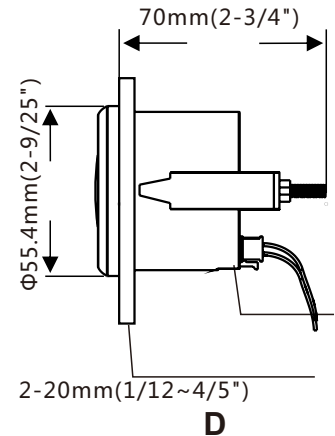
**A** Pic A : Before installation , firstly ,to open a hole (Dia:52~53mm) of the panel, make sure there is a space with (70mm backyard of panel) as well



如B图,将仪表放入开好孔的仪表面板中  
PicB: Put the gauge in the hole



如C图,用M4螺母和C型固定扣将仪表锁紧在仪表面板上  
Pic C: Using M4 nut and C type bracket to seal up the gauge



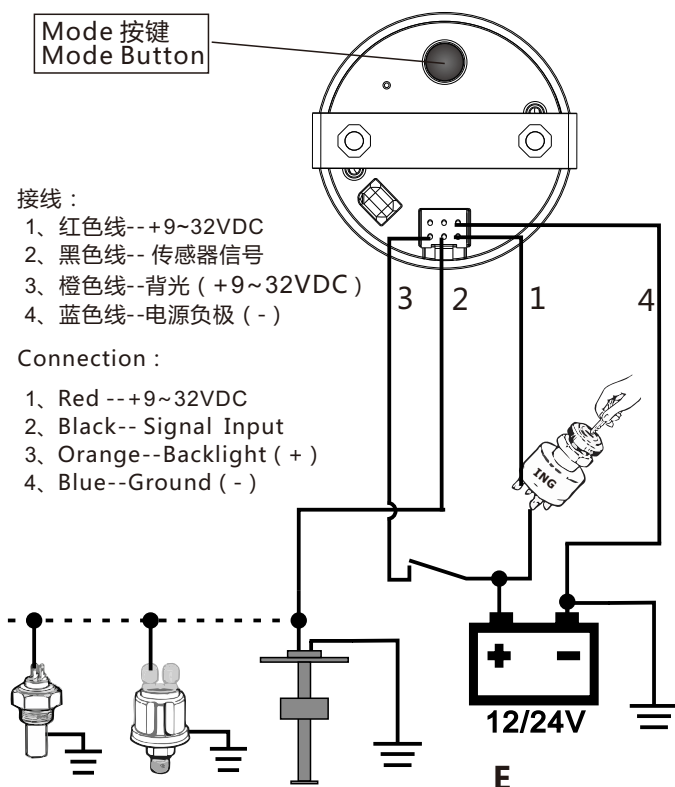
如D图,关于外形尺寸的标注说明  
Pic D: Size and annotations

仪表功能说明：

- 1、按轻按Mode按键(小于1秒)一次,改变背光颜色:背光顺序红色(默认)→绿→蓝→白→黄→黄绿→橙→紫。
- 2、如果仪表带报警灯默认设置：  
油位表、水位表报警位置 $\leq 1/8$ ；污水表报警位置 $\geq 7/8$ ；水温表报警位置 $\geq 96^{\circ}\text{C}$ ；油温表报警位置 $\geq 120^{\circ}\text{C}$ ；  
压力表报警位置 $\leq 0.8\text{bar}$ ；12V电压表报警位置 $\leq 11.3\text{V}$ ；24V电压表报警位置 $\leq 22.6\text{V}$ 。

Operation:

- 1.Press the Mode button (less than 1 second) to change the backlight color: Backlight changed in sequence: red (default) → green → blue → white → yellow → yellow green → orange → Purple .
- 2.Alarm light(If have ):
  - (1) Level gauges : the alarm light will be lighting if the fuel/water level  $\leq 1/8$  and if waste level  $\geq 7/8$ ;
  - (2) Temperature gauges: the alarm light will be lighting if the water temperature  $\geq 96^{\circ}\text{C}$  and oil temperature  $\geq 120^{\circ}\text{C}$ ;
  - (3) Oil pressure gauge: The alarm light will be lighting if the oil pressure  $\leq 0.8\text{bar}$  .
  - (4) Voltmeter: For 12V system, the alarm will be lighting if the voltage  $\leq 11.3\text{V}$  ,But as for 24V ststem, the alarm will be lighting if the voltage  $\leq 22.6\text{V}$ .



接线：

- 1、红色线--+9~32VDC
- 2、黑色线-- 传感器信号
- 3、橙色线--背光 (+9~32VDC)
- 4、蓝色线--电源负极 (-)

Connection :

- 1、Red --+9~32VDC
- 2、Black-- Signal Input
- 3、Orange--Backlight (+)
- 4、Blue--Ground (-)

技术参数：

工作电压：9~32VDC ,  
工作电流： $\leq 70\text{mA}$ (24V);  
工作温度： $-30\sim +75^{\circ}\text{C}$   
存储温度： $-40\sim +85^{\circ}\text{C}$ 。

Specification :

Operating Voltage : 9~32VDC ,  
Operating current :  $\leq 70\text{mA}$ (24V);  
Operating temperature :  $-30\sim +75^{\circ}\text{C}$   
Storage temperature :  $-40\sim +85^{\circ}\text{C}$ 。

参考E图连接电线,如果是电压表和小時計,则没有黑色电线

Pic E(Wires Connecting) : Generally,pls note the black wires is not included in volt gauge and hourmeter.