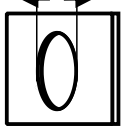


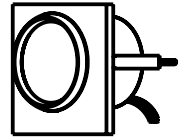
Φ85-87mm(3-2/5")



A

如A图，在准备安装仪表面板上开孔Φ85~87mm，并保证面板后面有至少70mm的空间。

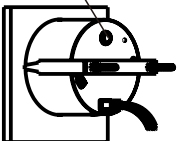
Pic A : Before installation , firstly ,to open a hole (Dia:85~87mm) of the panel, make sure there is a space with (70mm backyard of panel) as well



B

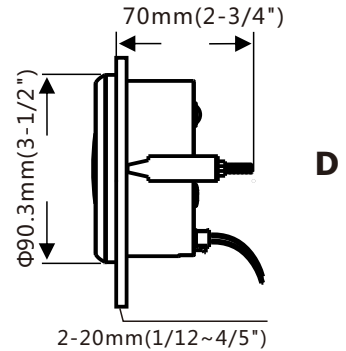
如B图，将仪表放入开好孔的仪表面板中
PicB: Put the gauge in the hole

Button: Adjust the speed ratio



C

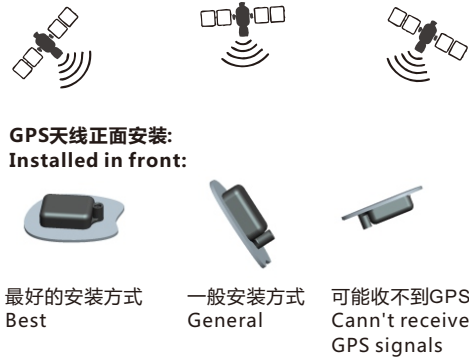
如C图，用M4螺母和C型固定扣将仪表锁紧在仪表面板上
Pic C: Using M4 nut and C type bracket to seal up the gauge



D

如D图，关于外形尺寸的标注说明
Pic D: Size and annotations

GPS installation instructions/天线安装说明:



GPS天线正面安装:
Installed in front:

最好的安装方式
Best

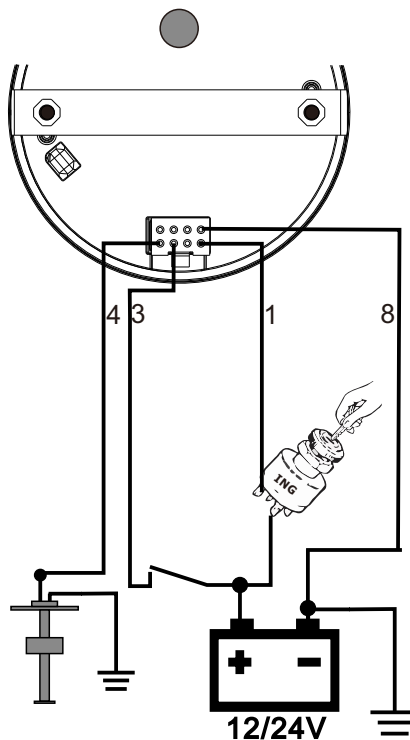
一般安装方式
General

可能收不到GPS信号
Can't receive
GPS signals

GPS天线反面安装
Installed in reverse:

此面要求是塑胶或不能屏蔽GPS信号的材料。
this surface material required plastic or can not shield GPS signal material

GPS天线反向安装
Reverse the GPS antenna installation



E

Wires Connecting

接线:

- 1、红色线--+8-16VDC
- 3、橙色线--背光(+)
- 4、紫色线--油位信号
- 8、黑色线--电源负极(-)

Connection:

- 1、Red --+8-16VDC
- 3、Orange--Backlight(+)
- 4、Purple--Fuel Signal
- 8、Black--Ground(-)

GPS速度表说明:

- 1、参考E图连接电线，然后打开电源，仪表即可开始工作，仪表开始工作时，处于搜索信号状态，速度表会自动计数，计数到300。如果没有搜索到GPS信号，显示E01。处于搜星状态或中途GPS信号丢失速度表开始计数，计数到300，仍然没有GPS信号显示E02。
- 2、故障代码：E01 表示上电时GPS搜索不到GPS信号。
E02 表示中途GPS信号丢失。
E03 表示仪表内部电路出现故障。

GPS speedometer:

1. To connect the wires as picture E, the device will start to search GPS signal after power on, within 300 seconds (LCD display from 1-300) Error: E01: No GPS signal was founded within 300 seconds E02: GPS was lost during its working, but not any GPS signal was founded again (within 300 seconds) even if the device was trying to search again.
2. Fault code
: E01 indicate that is couldn't search any GPS signals when in an energized state
: E02 indicate that it lose GPS signal.
: E03 indicates that there is a circuit problem.

技术参数:

工作电压: 8~16VDC,
工作电流: ≤120mA;
工作温度: -30~+75°C
存储温度: -40~+85°C.

Specification:

Operating Voltage: 8~16VDC,
Operating current: ≤120mA;
Operating temperature: -30~+75°C
Storage temperature: -40~+85°C.