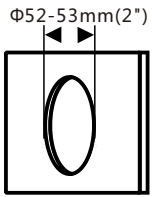


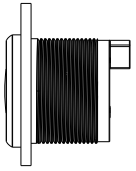
# OWNER'S MANUAL

106-00150-01 ECH

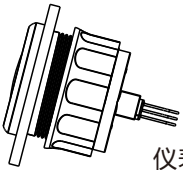


如A图,在准备安装仪表面板上开孔Φ52~53mm,并保证面板后面有至少70mm的空间。

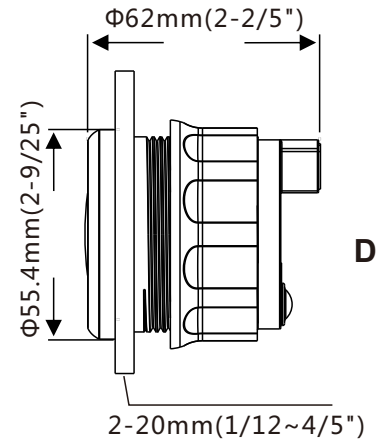
**A** Pic A : Before installation , firstly ,to open a hole (Dia:52~53mm) of the panel, make sure there is a space with (70mm backyard of panel) as well



**B** 如B图,拧开后盖,然后将仪表放入开好孔的仪表面板中  
PicB: Twist off the cover then put the gauge in hole



**C** 如C图,将仪表调整好位置后用仪表后盖将仪表锁紧在仪表面板上  
Pic C: Mount the gauge in hole, twist the back cover on after adjustment.



如D图,关于外形尺寸的标注说明  
Pic D: Size and annotations

仪表功能说明：

- 1、按轻按Mode按键(小于1秒)一次, 改变背光颜色: 背光顺序红色(默认) → 绿 → 蓝 → 白 → 黄 → 黄绿 → 橙 → 紫 → (自动)。自动: 设置为自动背光时背光熄灭2秒再点亮, 然后1分钟自动切换一次背光颜色。 照上面顺序循环切换。
- 2、如果您购买的是液位表, 仪表参数可根据下面说明调整: (油位表, 水位表、污水表)  
按住Mode按键3秒, 进入设置模式, 背光闪烁, 此时指针停留在E位置, 再轻触按键指针会指向不同的位置, 指针在不同的位置代表不同传感器的参数,如右边表格说明：

Operation:

- 1, Press the Mode button (less than 1 second) to change the backlight color: Backlight changed in sequence: red (default) → green → blue → white → yellow → yellow green → orange → Purple → (automatic).

Automatic: As the gauges was set with the automatic , the backlight will be off for 2 seconds then lighten up, And will switch the backlight color as above sequentially.

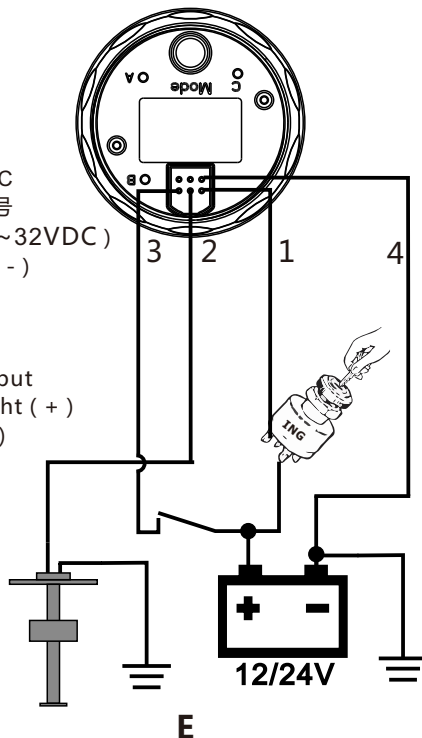
指针位置	对应输入参数	备注
E	0~190 Ω	出厂默认
1/4	0~180 Ω	
1/2	10~180 Ω	
3/4	240-33Ω	
F	240-30Ω	

接线：

- 1、红色线-- +9~32VDC
- 2、黑色线-- 传感器信号
- 3、橙色线--背光 (+9~32VDC)
- 4、蓝色线--电源负极 (-)

Connection :

- 1、Red -- +9~32VDC
- 2、Black-- Signal Input
- 3、Orange--Backlight (+)
- 4、Blue--Ground (-)



参考E图连接电线  
Pic E(Wires Connecting)

- 2、Users could select the input resistance as down below operations if you have Fuel /Water/Sewage level gauge.Hold the Mode button for 3 seconds to enter the setting mode, back light flickering for a while. The needle point at the "E" position, and you could select the corresponding parameter via pressing the button as down below form.

Position	Input Signal	Remark
E	0~190 Ω	Default
1/4	0~180 Ω	
1/2	10~180 Ω	
3/4	240-33Ω	
F	240-30Ω	

技术参数：

工作电压：9~32VDC ,  
工作电流：≤70mA(24V);  
工作温度：-30~+75℃  
存储温度：-40~+85℃。

Specification :

Operating Voltage : 9~32VDC ,  
Operating current : ≤70mA(24V);  
Operating temperature : -30~+75℃  
Storage temperature : -40~+85℃。