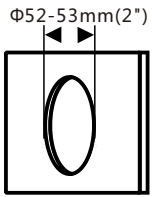


OWNER'S MANUAL

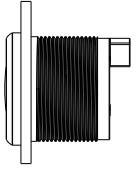
106-00151-01 ECH



如A图,在准备安装仪表面板上开孔Φ52~53mm,并保证面板后面有至少70mm的空间。

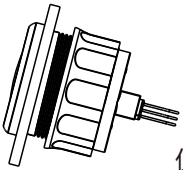
A

Pic A : Before installation , firstly ,to open a hole (Dia:52~53mm) of the panel, make sure there is a space with (70mm backyard of panel) as well



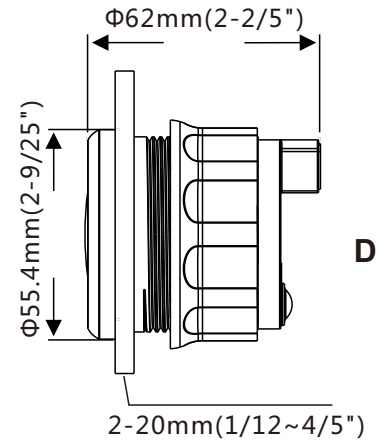
B

如B图,拧开后盖,然后将仪表放入开好孔的仪表面板中
PicB: Twist off the cover then put the gauge in hole



C

如C图,将仪表调整好位置后用仪表后盖将仪表锁紧在仪表面板上
Pic C: Mount the gauge in hole, twist the back cover on after adjustment.



D

如D图,关于外形尺寸的标注说明
Pic D: Size and annotations

仪表功能说明：

- 1、按轻按Mode按键(小于1秒)一次,改变背光颜色:背光顺序红色(默认)→绿→蓝→白→黄→黄绿→橙→紫→(自动)。自动:设置为自动背光时背光熄灭2秒再点亮,然后1分钟自动切换一次背光颜色。照上面顺序循环切换。
- 2、如果您购买的是液位表,仪表参数可根据下面说明调整:(油位表,水位表,污水表)按住Mode按键3秒,进入设置模式,显示HXX,根据右边的表格调整到您所需要的参数组即可,如:您传感器的规格是240-33Ω,调整到H04即可。



Operation:

- 1, Press the Mode button (less than 1 second) to change the backlight color: Backlight changed in sequence: red (default) → green → blue → white → yellow → yellow green → orange → Purple → (automatic).
Automatic: As the gauges was set with the automatic , the backlight will be off for 2 seconds then lighten up, And will switch the backlight color as above sequentially.

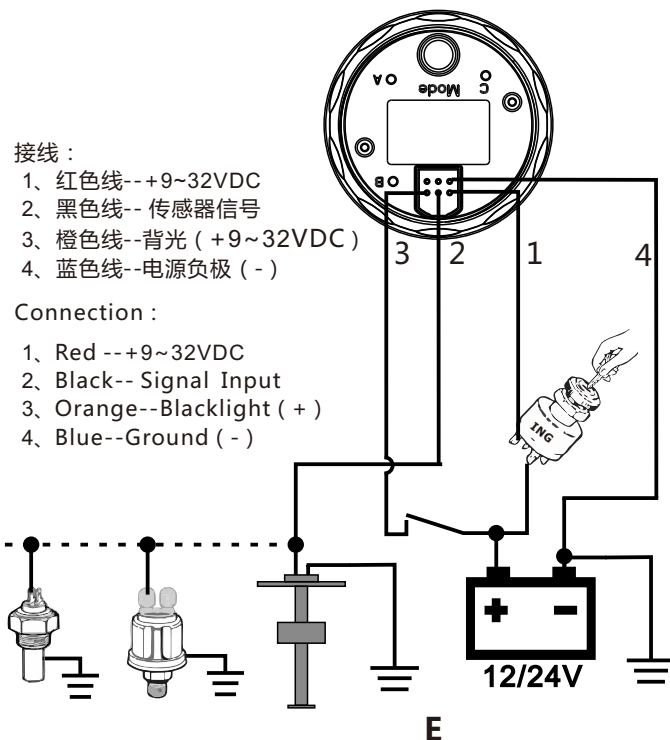
参数组	对应输入参数	备注
H01	0~190 Ω	出厂默认
H02	0~180 Ω	
H03	10~180 Ω	
H04	240-33Ω	
H05	240-30Ω	

接线：

- 1、红色线--+9~32VDC
- 2、黑色线--传感器信号
- 3、橙色线--背光(+9~32VDC)
- 4、蓝色线--电源负极(-)

Connection :

- 1、Red --+9~32VDC
- 2、Black-- Signal Input
- 3、Orange--Backlight (+)
- 4、Blue--Ground (-)



E

参考E图连接电线
Pic E(Wires Connecting)

- 2、Users could select the input resistance as down below operations if you have Fuel /Water/Sewage level gauge.Press the Mode button for three seconds or more, enter the set mode, LCD display "HXX",users could select the parameter as you want.For instance, if the input signal of your sensors is 240~33Ω,users could adjust the gauge by pressing the button until it display H04 .

Parameter Group	Input Signal	Remark
H01	0~190 Ω	Default
H02	0~180 Ω	
H03	10~180 Ω	
H04	240-33Ω	
H05	240-30Ω	

技术参数：

工作电压：9~32VDC ,
工作电流：≤70mA(24V);
工作温度：-30~+75℃
存储温度：-40~+85℃。

Specification :

Operating Voltage : 9~32VDC ,
Operating current : ≤70mA(24V);
Operating temperature : -30~+75℃
Storage temperature : -40~+85℃。