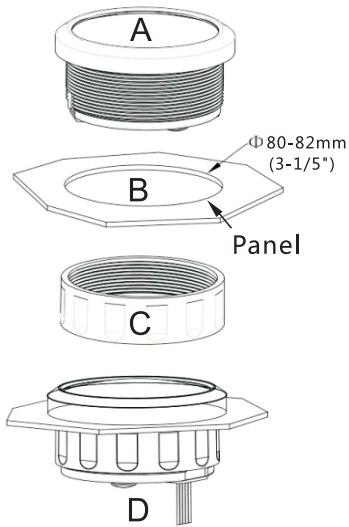


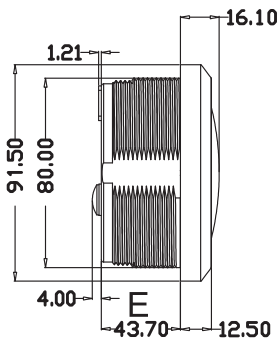
Owner's Manual

D9002E

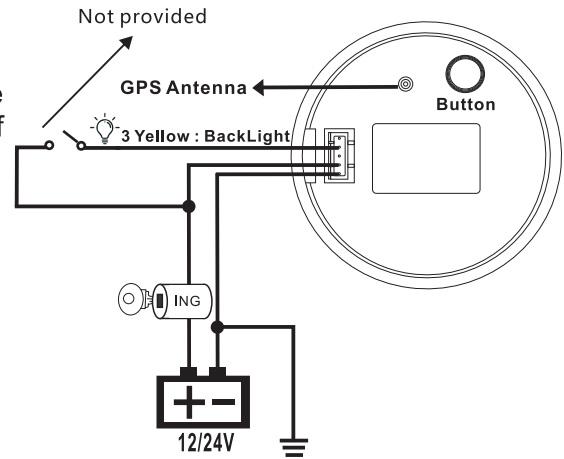


Picture B: Before installation, firstly, to open a hole $\Phi 80-82\text{mm}$ (3-1/5") of the panel, make sure there is a space with (55mm backyard of panel) as well.

Picture D: Put the gauge in the hole and screw down.



Picture E: Size and annotations



F Wiring diagram

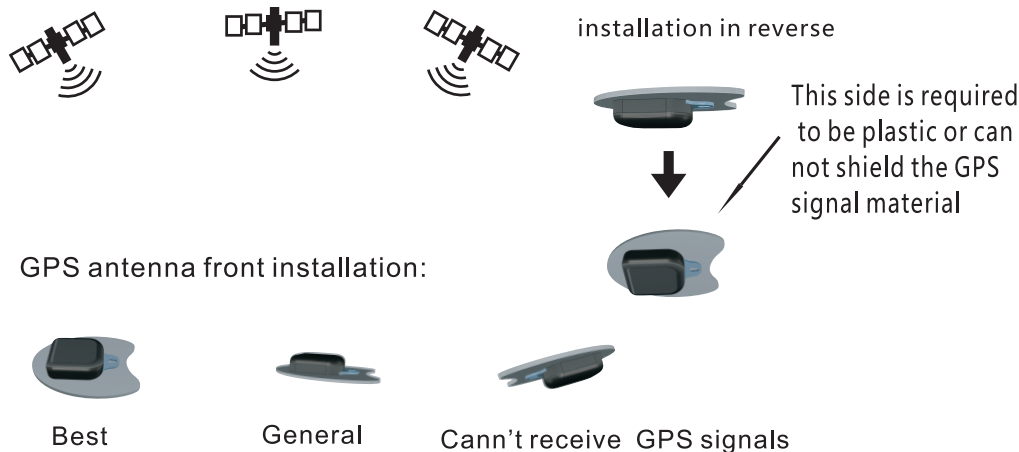
Connection

- 1 Black: Ground(-)
- 2 Red: 9-32VDC
- 3 Yellow: Backlight

Technical parameters:

- Operating voltage: 9~32VDC
- Operating current: $\leq 100\text{mA}$
- Operating temperature: $-30\sim 80^{\circ}\text{C}$
- Storage temperature: $-40\sim 85^{\circ}\text{C}$

GPS Antenna Installation Instructions



1. Turn it on, then the meter starts to search the signal and LCD will display "gps---", if there is still no GPS signal after three minutes, LCD displays "Err".

2. Short press the button to change the backlight color: Backlight changed in sequence: red (default) \rightarrow green \rightarrow blue \rightarrow white \rightarrow yellow \rightarrow cyan \rightarrow Purple \rightarrow (automatic). Automatic: Automatically switch the backlight color every 1 minute, Cycle switch according to the above sequence.