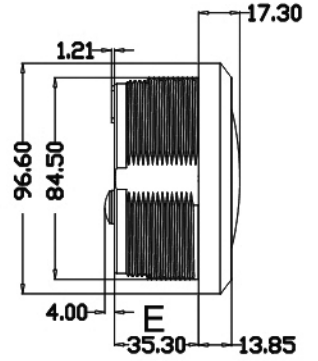


如图B,在仪表安装板上开一个直径为85mm的孔,并确保仪表板后面至少要有55mm的空间.

Picture B: Before installation, firstly, to open a hole  $\Phi 85\text{mm}$ (3 3/8") of the panel, make sure there is a space with(55mm backyard of panel) as well.

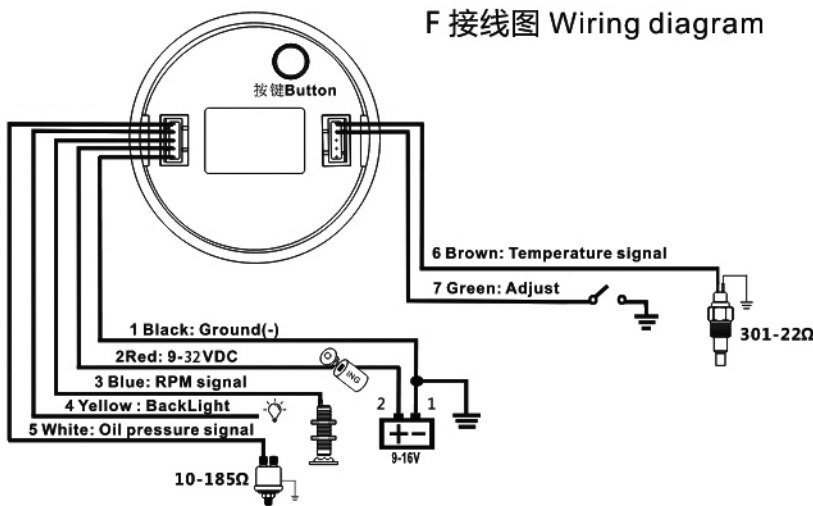
如图D, 将仪表装入开好的孔中,调整好位置后将后盖圈拧紧.

Picture D: Put the gauge in the hole and screw down.



如图E: 关于外形尺寸的标注说明

Picture E: Size and annotations



F 接线图 Wiring diagram

接线方式

- 1 黑色线: 电源负极(-)
- 2 红色线: 9-32VDC(+)
- 3 蓝色线: RPM传感器
- 4 黄色线: 背光灯
- 5 白色线: 油压传感器
- 6 棕色线: 水温传感器
- 7 绿色线: 调节

Connection

- 1 Black: Ground(-)
- 2 Red: 9-32VDC(+)
- 3 Blue: RPM signal
- 4 Yellow: Backlight
- 5 White: Oil pressure signal
- 6 Brown: Temperature signal
- 7 Green: Adjust

柴油机 Diesel Engine	
飞轮齿数 Gear Number	速比 Speed Ratio
飞轮齿数=速比值 Speed Ratio = Gear Number	

汽油发动机 Inboard Gas Engine		
汽缸数 Cylinder	冲程 Cycle	速比 Speed Ratio
4	4	2
6	4	3
8	4	4
10	4	5
12	4	6

舷外机 Outboard	
极数 Poles	速比 Speed Ratio
4	2
6	3
8	4
10	5
12	6

技术参数:

- 工作电压:9~32VDC
- 工作电流:≤100mA
- 工作温度:-30~+80°C
- 储存温度:-40~+85°C

Technical parameters:

- Operating voltage: 9~32VDC
- Operating current: ≤100mA
- Operating temperature: -30~80°C
- Storage temperature: -40~85°C

- 1.按下背面的橡胶按钮3秒,然后进入设置模式,如果离开按钮超过3秒,则会退出设置模式。
- 2.速比调节:当您按下该按钮时,该值将会增加。当您离开该按钮,然后再次按下它时,该值将会减少。按按钮,值数就越快。最小步长值为0.1,可调范围为1.0~360。
- 3.绿色线短碰负极,改变背光颜色:背光顺序红色(默认)→绿→蓝→白→黄→青→紫→(自动)。  
自动:每1分自动切换一次背光颜色,依照上面顺序循环切换。

1. Keep on pressing the rubber button of the backside for 3 seconds, and then enter into setting mode, if leave button more than 3 seconds, it will be out of setting mode.
- 2.Speed ratio adjustment:The value will increase when you press the button. When you leave the button and then press it again, the value will decrease. The minimum step value is 0.1 and the adjustable range is 1~360. When you get the required speed ratio value after adjustment, please leave the button. The tachometers will auto save your setup after 3 seconds. If this setup doesn't meet your demand, please re-setup.
3. The green wire touches the negative pole to change the backlight color: Backlight changed in sequence: red (default)→green →blue →white →yellow →cyan →Purple→(automatic). Automatic: Automatically switch the backlight color every 1 minute, Cycle switch according to the above sequence.