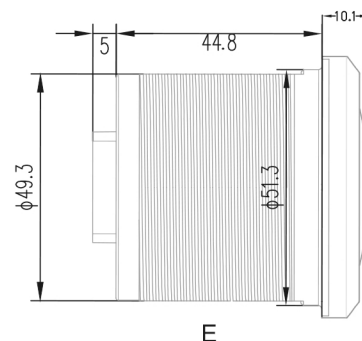
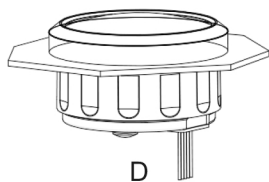


Picture B: Before installation, firstly, to open a hole $\Phi 52\text{mm}$ (2-1/16") of the panel, make sure there is a space with (55mm backyard of panel) as well.

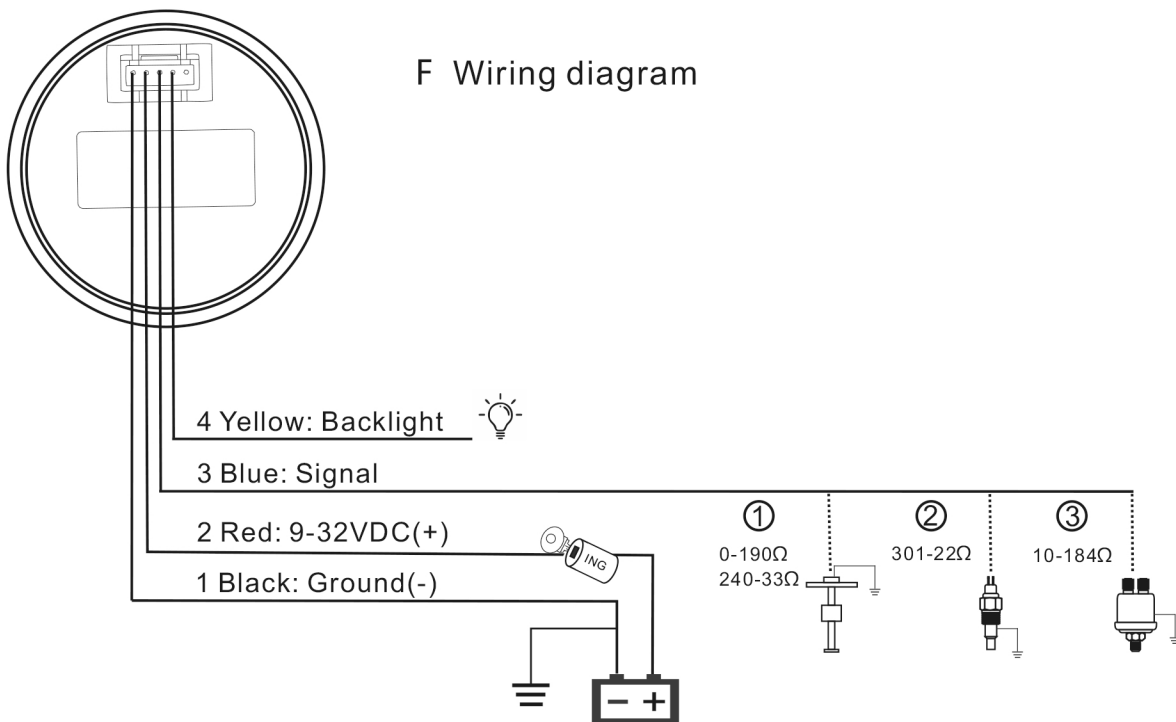


Picture E: Size and annotations



Picture D: Put the gauge in the hole and screw down.

F Wiring diagram



Connection

- 1 Black: Ground(-)
- 2 Red: 9-32VDC(+)
- 3 Blue: Signal
- 4 Yellow: Backlight

Technical parameters:

- Operating voltage: 9~32VDC
- Operating current: $\leq 100\text{mA}$
- Operating temperature: -30~ 80°C
- Storage temperature: -40~ 85°C

If it is a voltmeter, no external signal line is required.